



US011245247B2

(12) **United States Patent**
Colles et al.

(10) **Patent No.:** US 11,245,247 B2

(45) **Date of Patent:** Feb. 8, 2022

- (54) **PULSED LASER DIODE DRIVER**
- (71) Applicant: **Silanna Asia Pte Ltd**, Singapore (SG)
- (72) Inventors: **Joseph H. Colles**, Bonsall, CA (US);
Steven E. Rosenbaum, San Diego, CA (US);
Stuart B. Molin, Carlsbad, CA (US)
- (73) Assignee: **Silanna Asia Pte Ltd**, Singapore (SG)
- (*) Notice: Subject to any disclaimer, the term of this patent is extended or adjusted under 35 U.S.C. 154(b) by 0 days.

(56) **References Cited**
U.S. PATENT DOCUMENTS

3,944,854 A	3/1976	Keller
5,895,984 A	4/1999	Renz
9,368,936 B1	6/2016	Lenius et al.

(Continued)

FOREIGN PATENT DOCUMENTS

JP	2016096221 A	5/2016
KR	20150105889 A	9/2015
KR	1020150105889 A	9/2015

OTHER PUBLICATIONS

International Search Report and Written Opinion dated Jul. 19, 2021 for PCT Patent Application No. PCT/IB2021/052368.

(Continued)

Primary Examiner — Yuanda Zhang
(74) *Attorney, Agent, or Firm* — MLO, a professional corp.

- (21) Appl. No.: **17/301,009**
- (22) Filed: **Mar. 22, 2021**
- (65) **Prior Publication Data**
US 2021/0305770 A1 Sep. 30, 2021

Related U.S. Application Data

- (60) Provisional application No. 63/127,794, filed on Dec. 18, 2020, provisional application No. 62/994,470, filed on Mar. 25, 2020.

- (51) **Int. Cl.**
H01S 5/026 (2006.01)
H01S 5/068 (2006.01)
H01S 5/40 (2006.01)
H01S 5/042 (2006.01)

- (52) **U.S. Cl.**
CPC *H01S 5/0261* (2013.01); *H01S 5/0428* (2013.01); *H01S 5/06808* (2013.01); *H01S 5/4025* (2013.01)

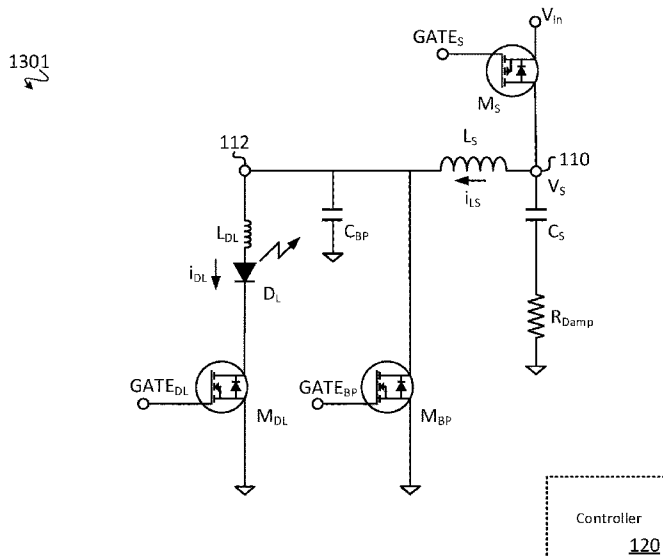
- (58) **Field of Classification Search**
CPC .. H01S 5/0261; H01S 5/0428; H01S 5/06808; H01S 5/4025

See application file for complete search history.

(57) **ABSTRACT**

A pulsed laser diode driver includes an inductor having a first terminal configured to receive a source voltage. A source capacitor has a first terminal connected to the first terminal of the inductor to provide the source voltage. A bypass switch has a drain node connected to a second terminal of the inductor and to a first terminal of a bypass capacitor. A laser diode has an anode connected to the second terminal of the inductor and to the drain node of the bypass switch. A laser diode switch has a drain node connected to a cathode of the laser diode. The laser diode switch and the bypass switch control a current flow through the inductor to produce a high-current pulse through the laser diode, the high-current pulse corresponding to a peak current of a resonant waveform developed at the anode of the laser diode.

20 Claims, 51 Drawing Sheets



(56)

References Cited

U.S. PATENT DOCUMENTS

2003/0016711	A1	1/2003	Crawford	
2004/0202216	A1	10/2004	Fairgrieve	
2005/0185428	A1	8/2005	Crawford et al.	
2005/0243879	A1	11/2005	Horiuchi et al.	
2009/0161707	A1	6/2009	Champion et al.	
2010/0283322	A1	11/2010	Wibben	
2011/0291578	A1	12/2011	Philippbar et al.	
2014/0009952	A1	1/2014	Nomura et al.	
2016/0344156	A1	11/2016	Rothberg et al.	
2017/0085057	A1	3/2017	Barnes et al.	
2017/0223788	A1	8/2017	Jämsä et al.	
2018/0261975	A1	9/2018	Pavlov et al.	
2018/0278017	A1	9/2018	Mignoli et al.	
2018/0323576	A1	11/2018	Crawford et al.	
2019/0386460	A1	12/2019	Barnes et al.	
2020/0067269	A1	2/2020	Eggermont	
2021/0066885	A1*	3/2021	Kuo	H01S 5/0261

OTHER PUBLICATIONS

International Search Report and Written Opinion dated Dec. 10, 2021 for PCT Patent Application No. PCT/IB2021/058143.

* cited by examiner

FIG. 1A

101

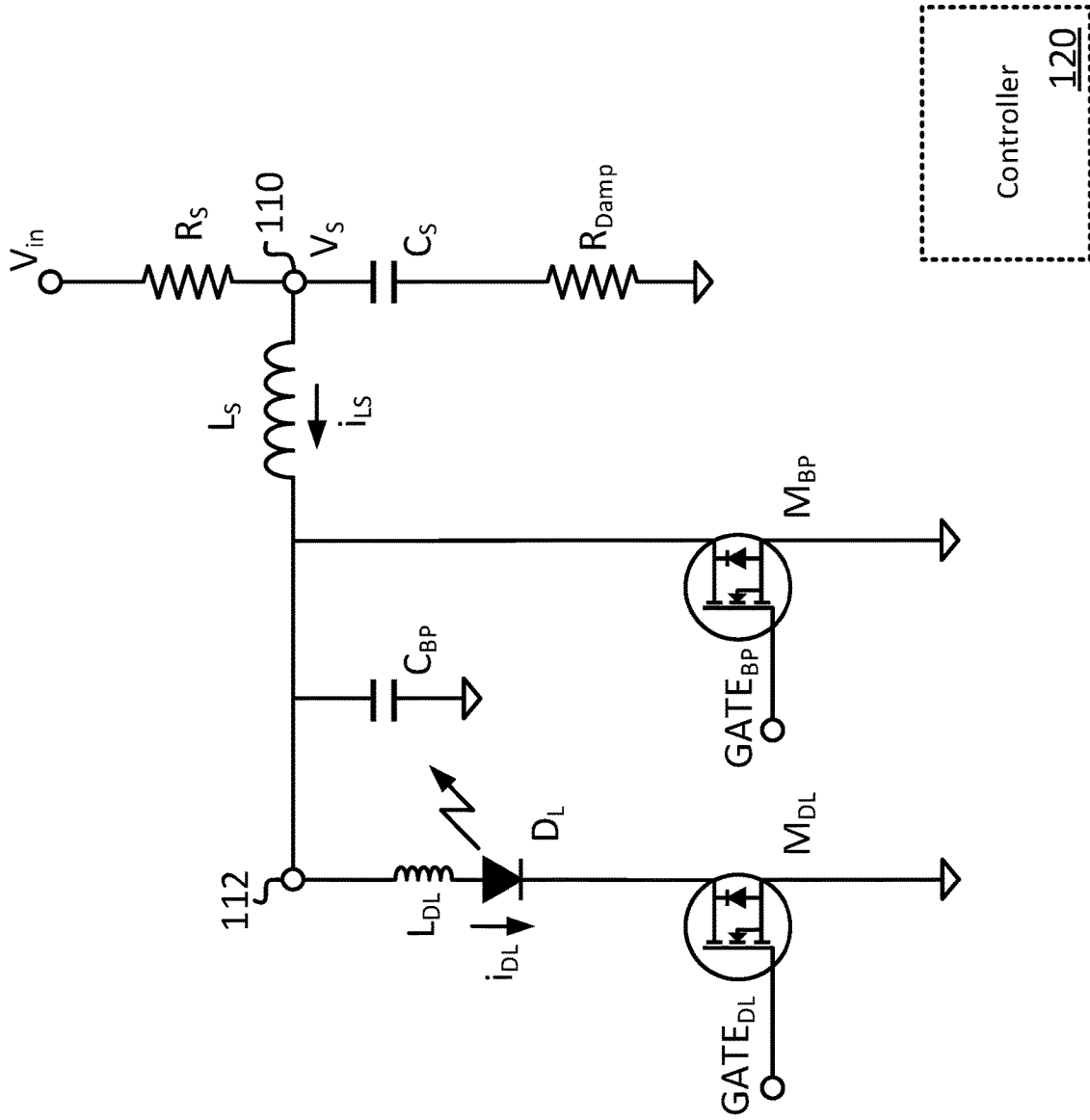


FIG. 1B

102

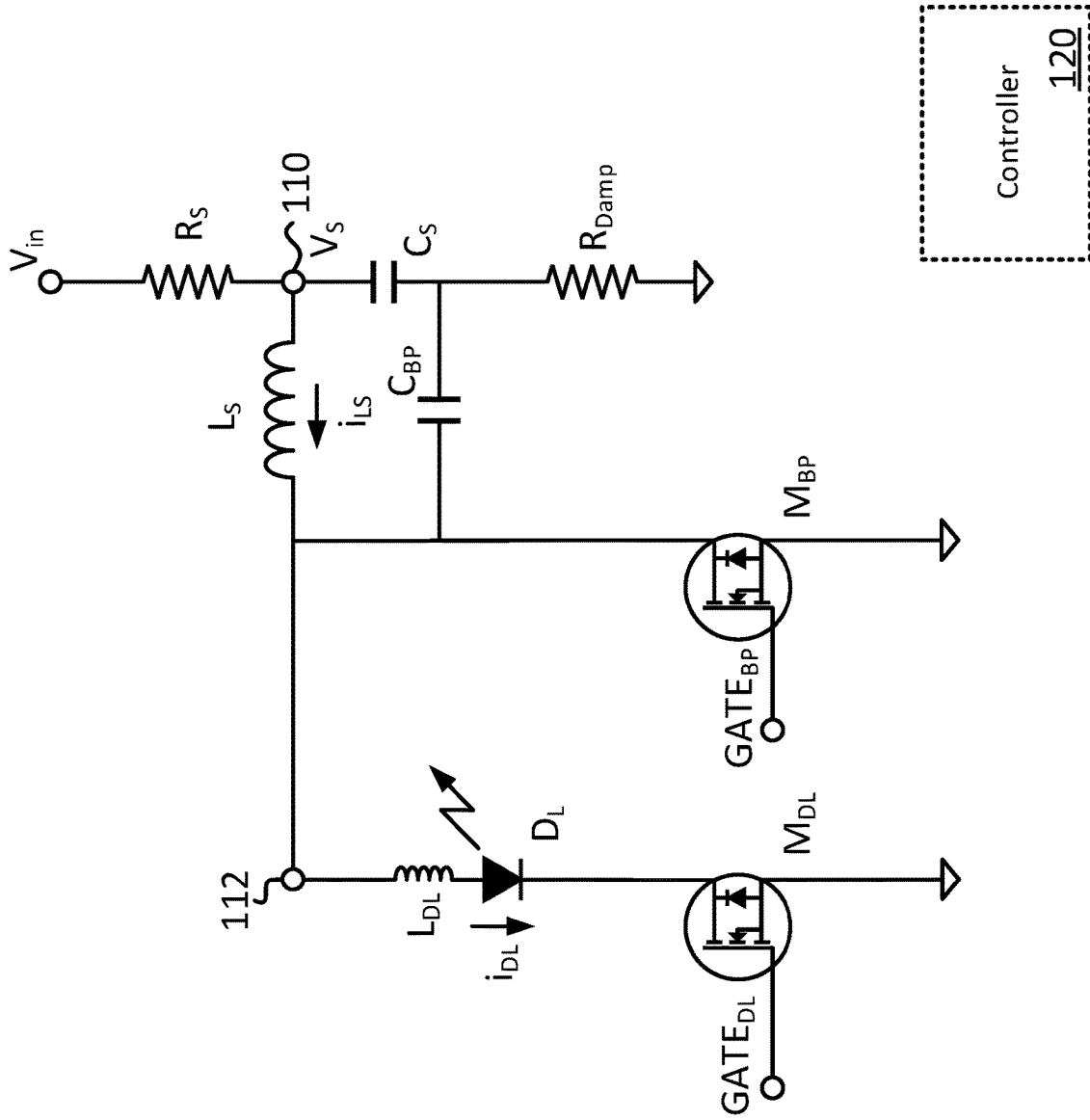


FIG. 1C

103 

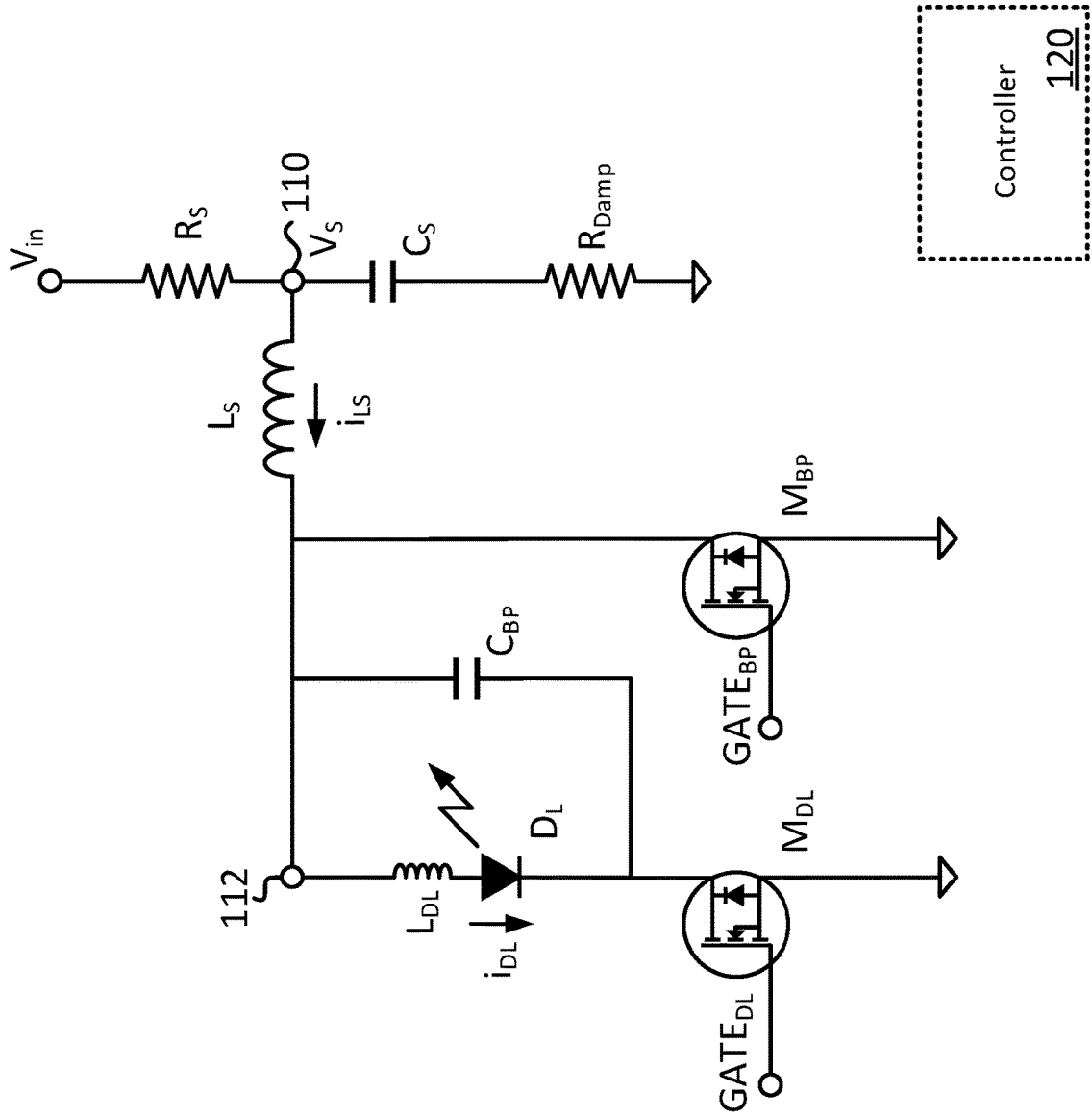
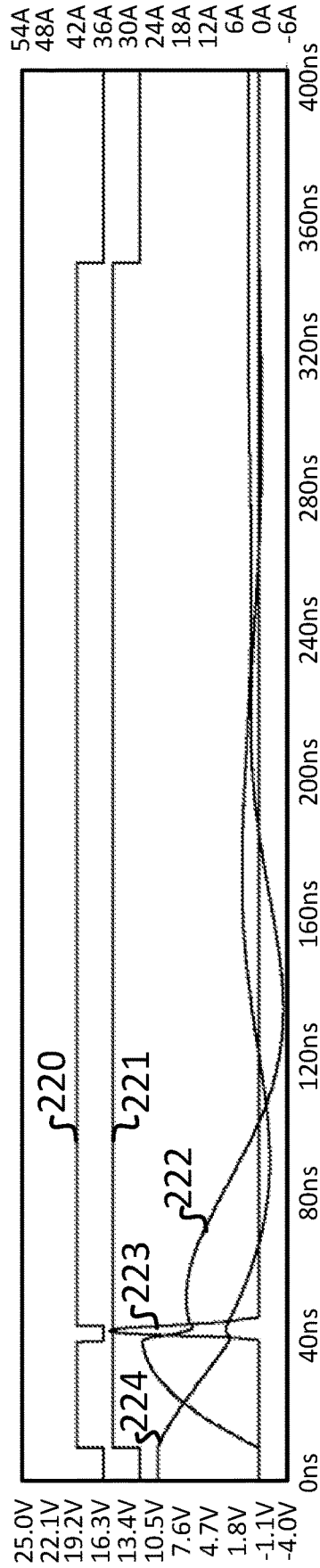


FIG. 2A

201 ↘



202 ↘

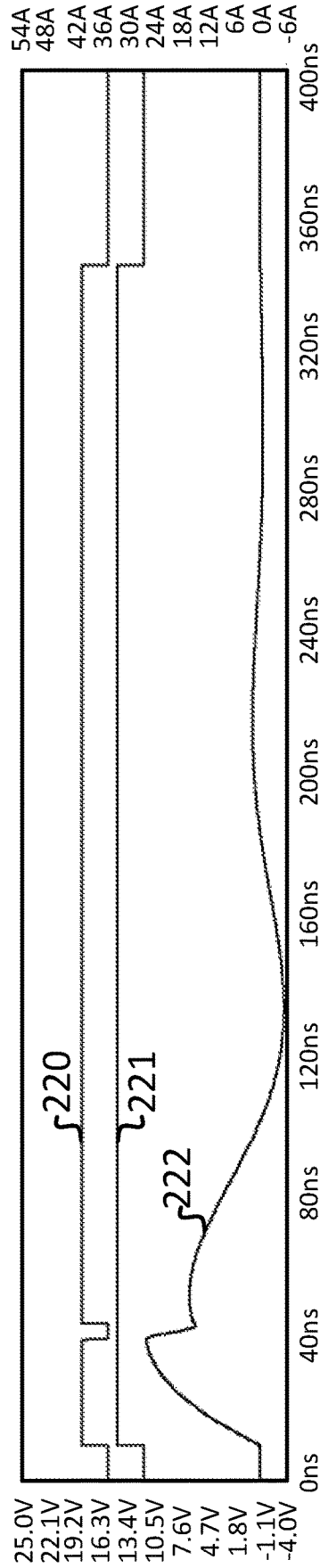
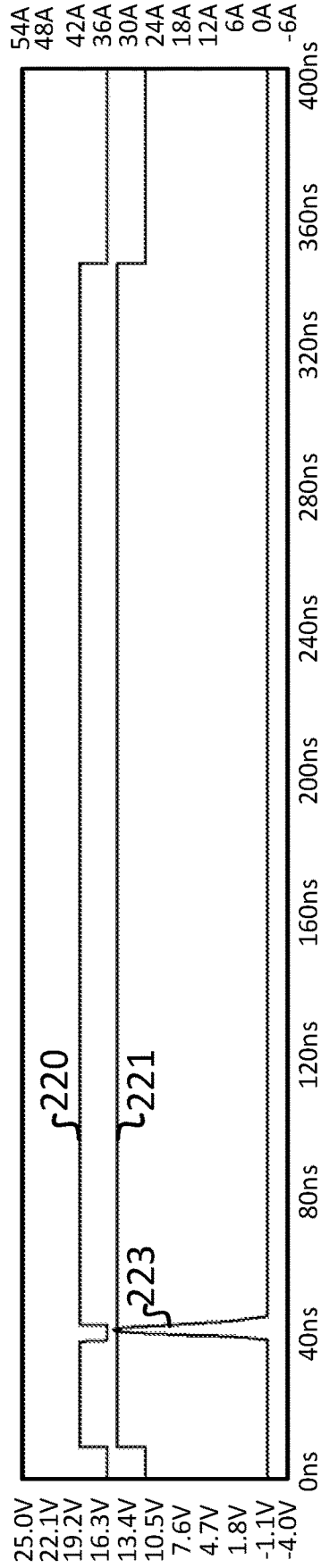


FIG. 2B

203 ↘



204 ↘

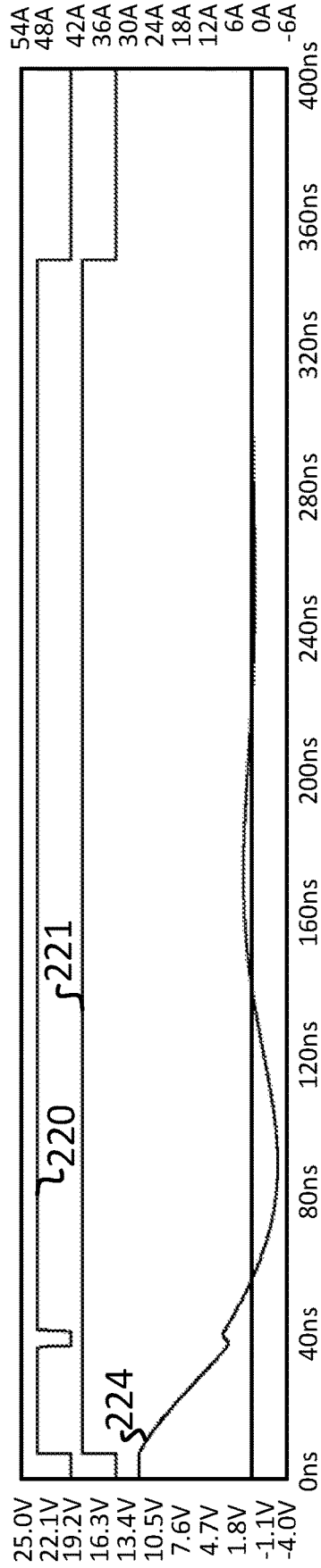


FIG. 2D

207 ↘

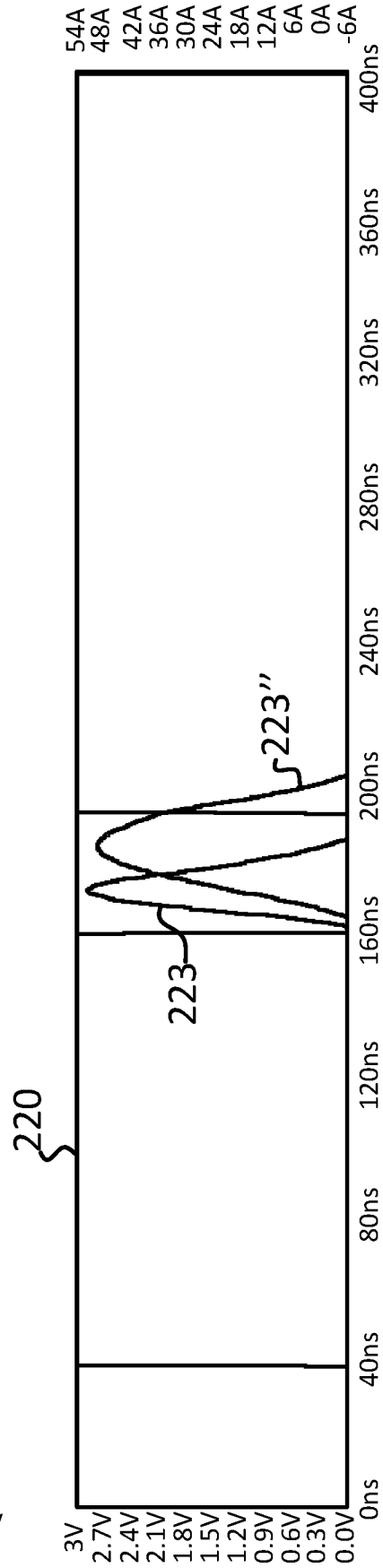


FIG. 3

300

	M_{BP}	M_{DL}	
Precharge ⁿ	OFF	OFF	← 301
Preflux ⁿ	ON	ON	← 302
Pulse Generation ⁿ	OFF	ON	← 303
Discharge ⁿ	ON	ON	← 304
Precharge ⁿ⁺¹	OFF	OFF	← 305

FIG. 4A

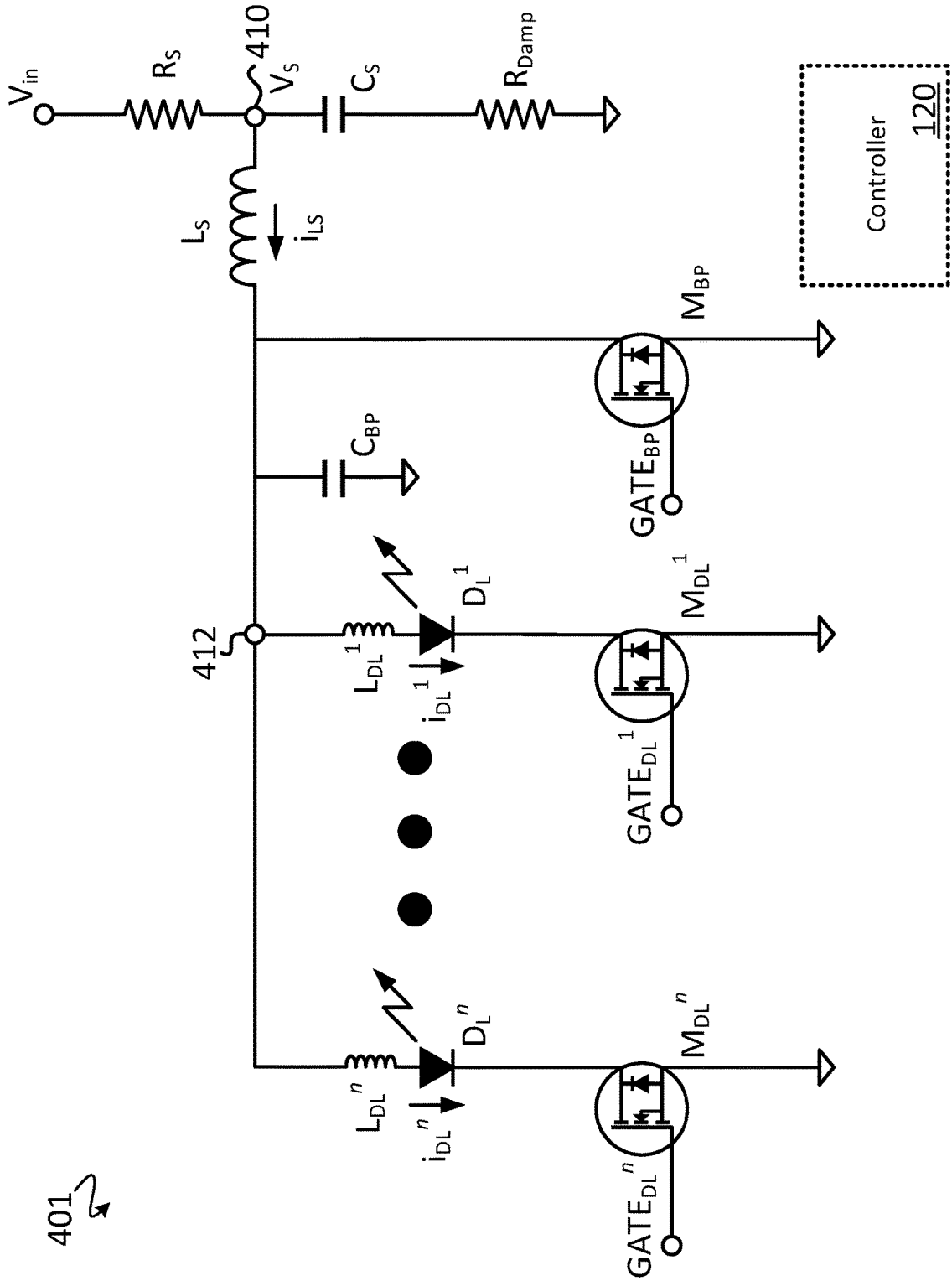


FIG. 4B

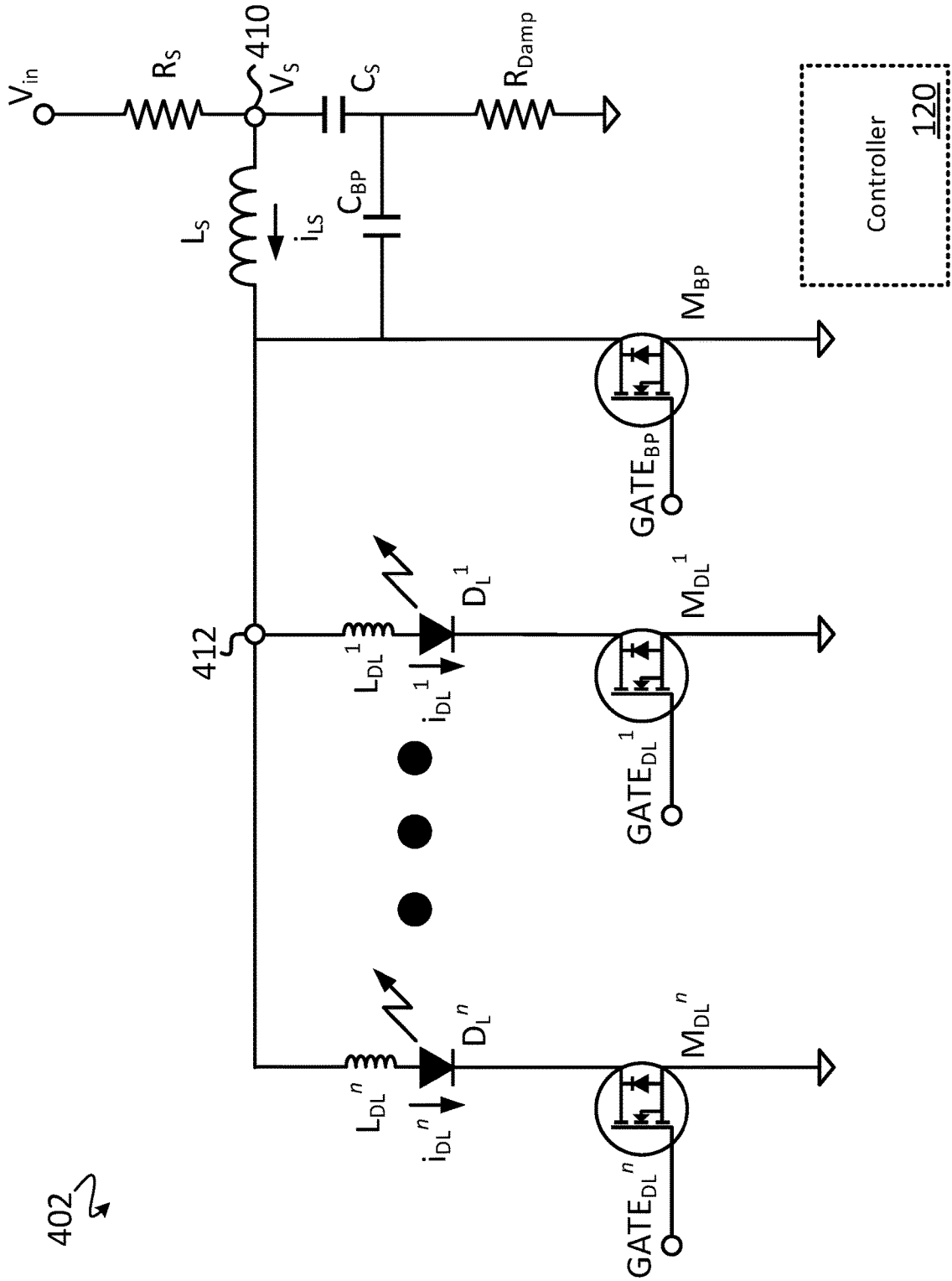


FIG. 4C

403

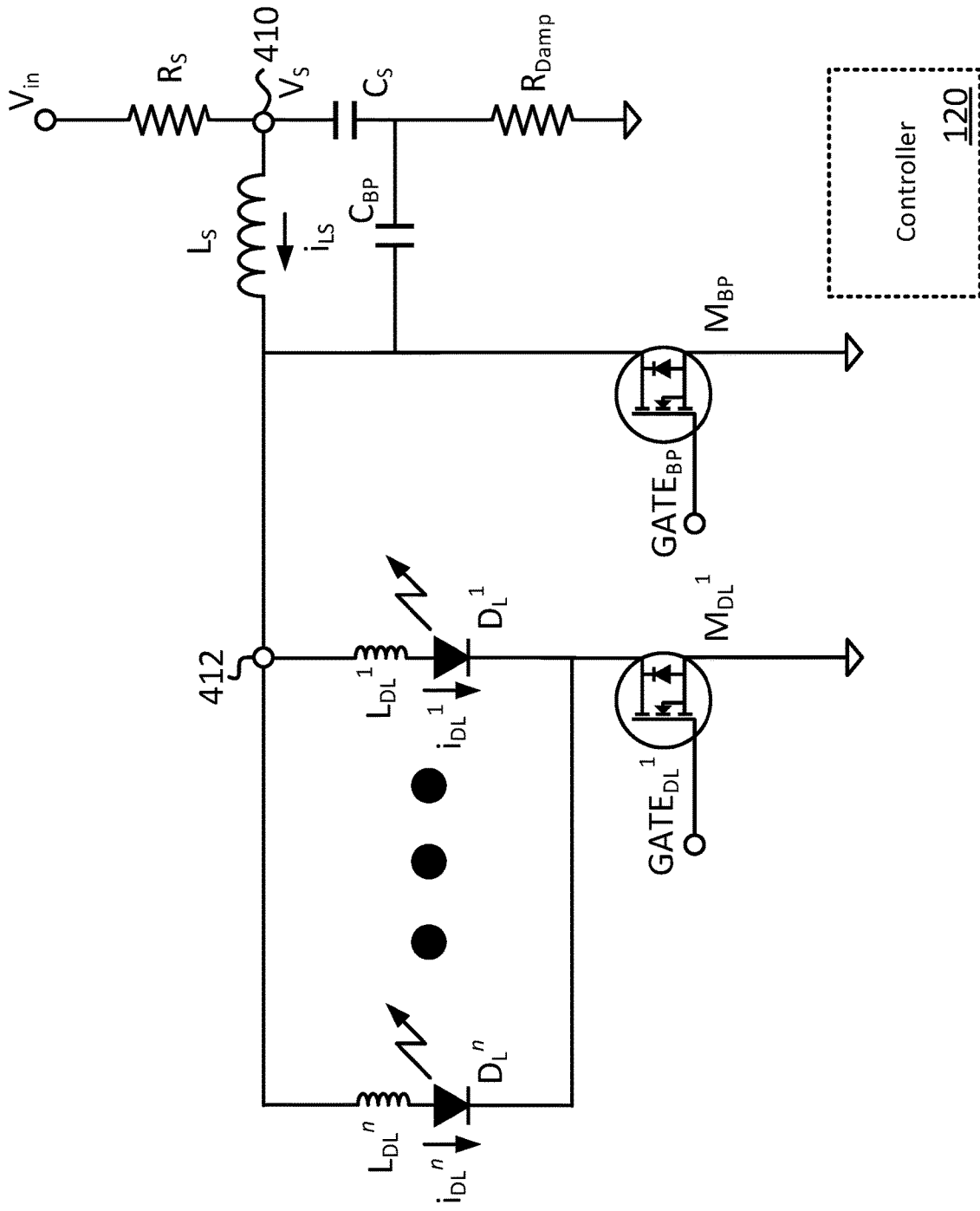


FIG. 4D

404

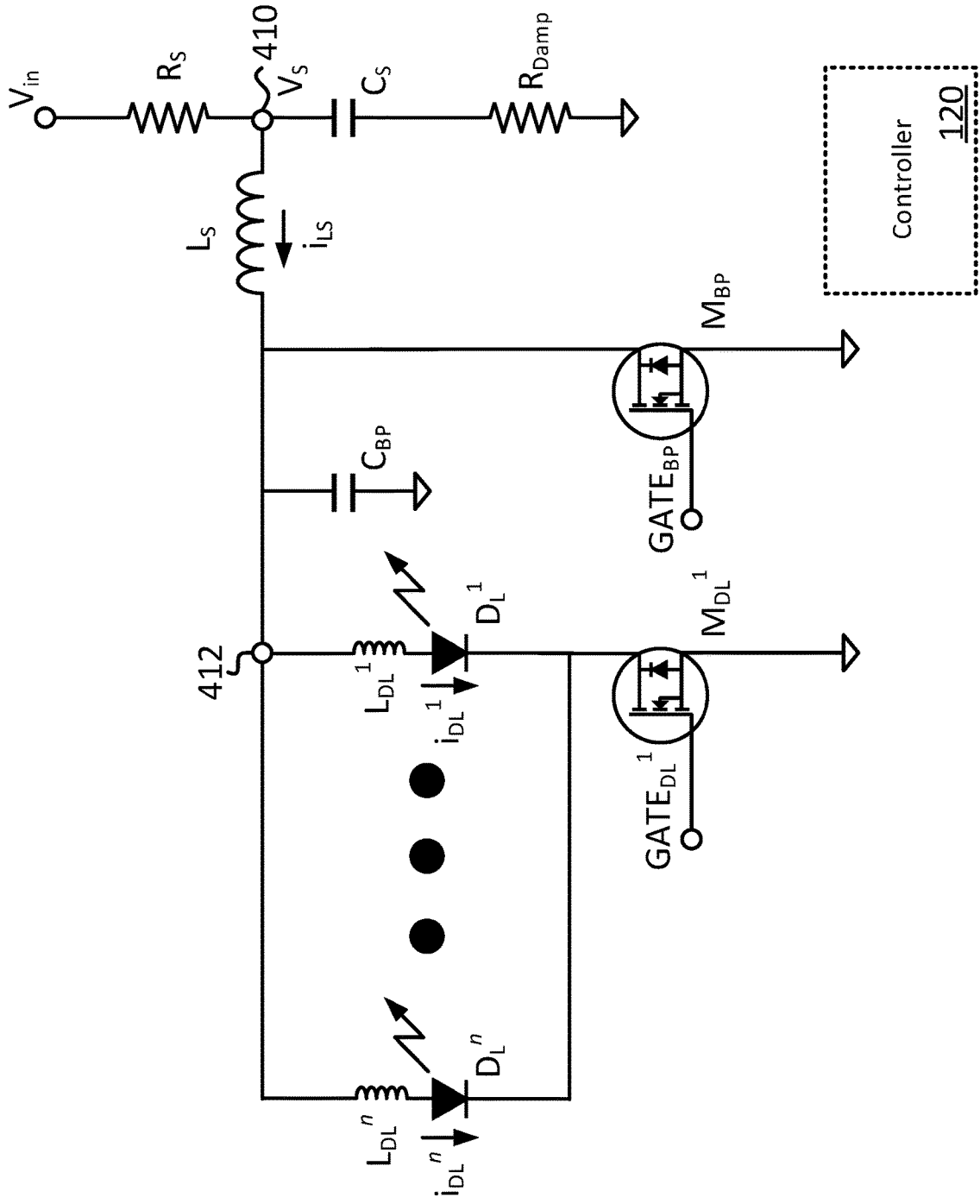


FIG. 5A

501 ↻

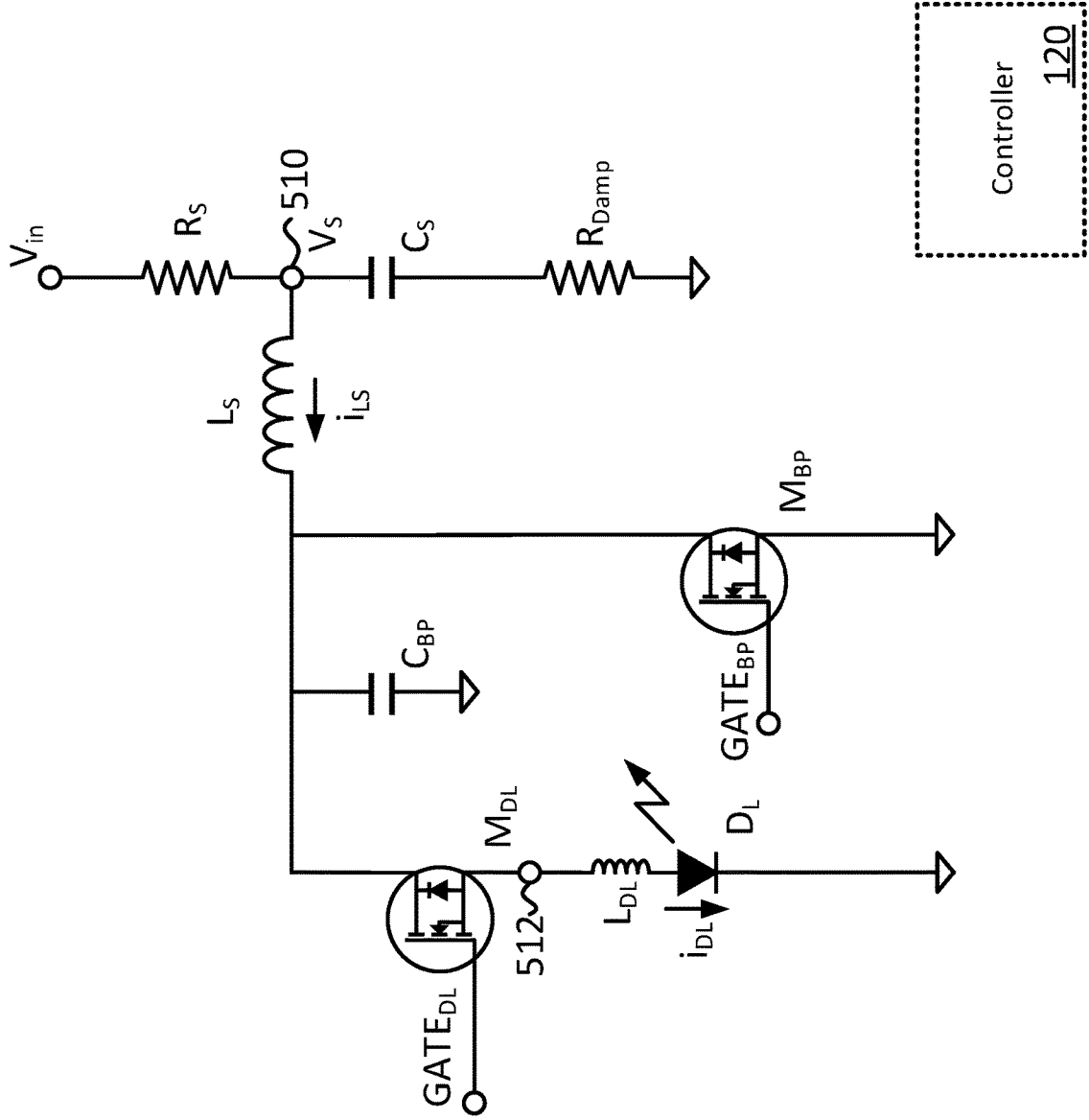


FIG. 5B

502 ↗

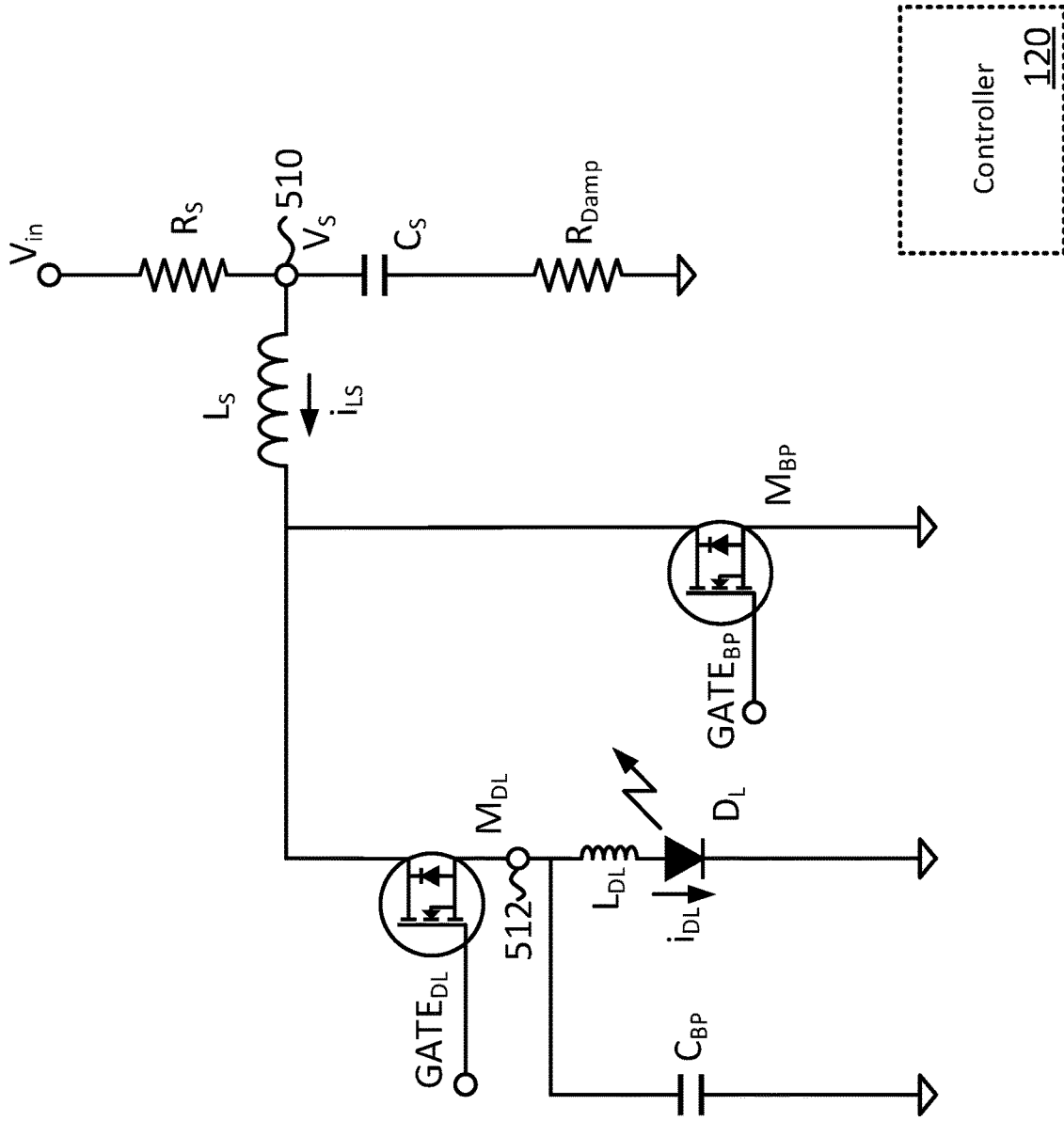


FIG. 5C

503

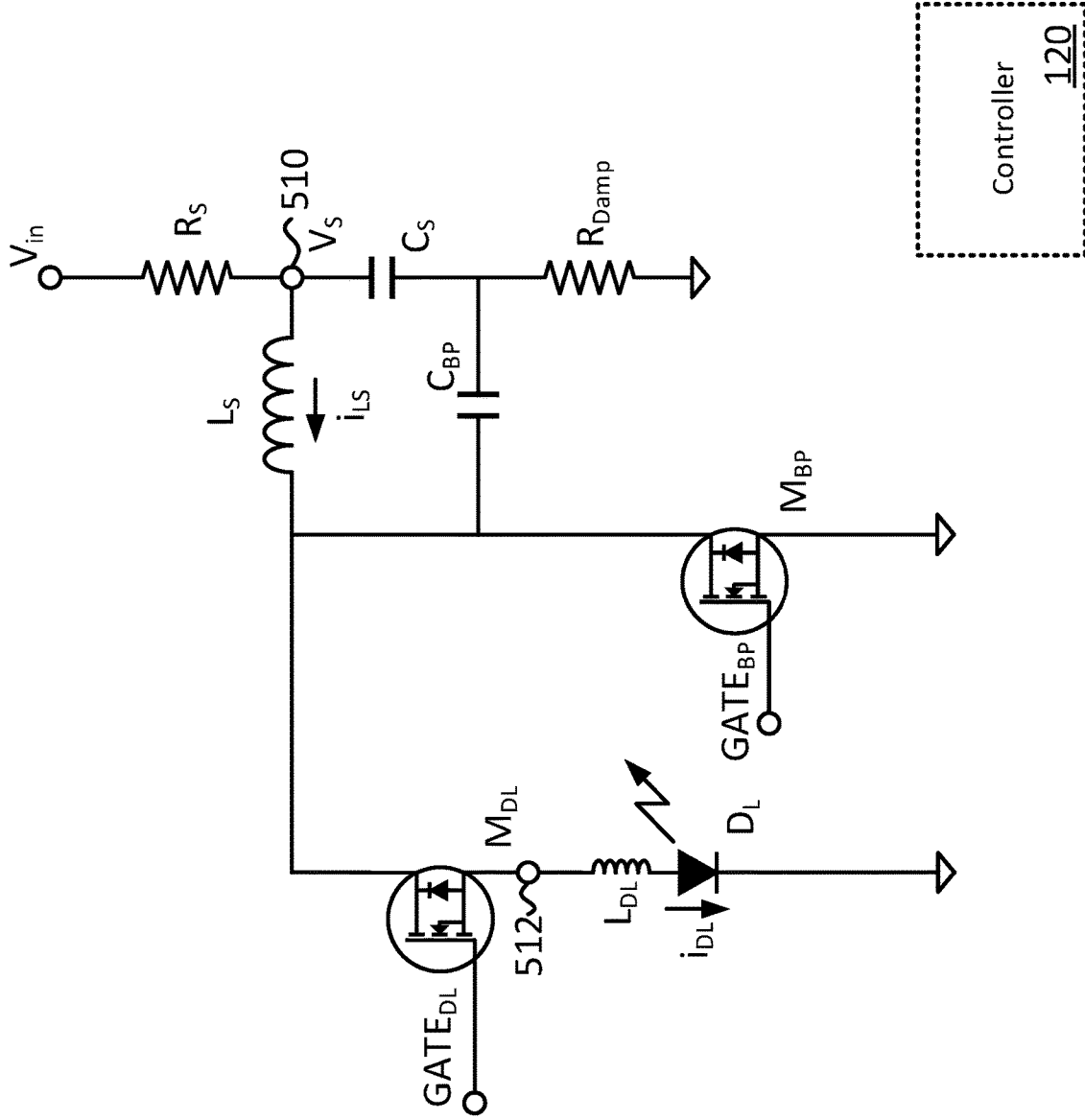


FIG. 5D

504 ↷

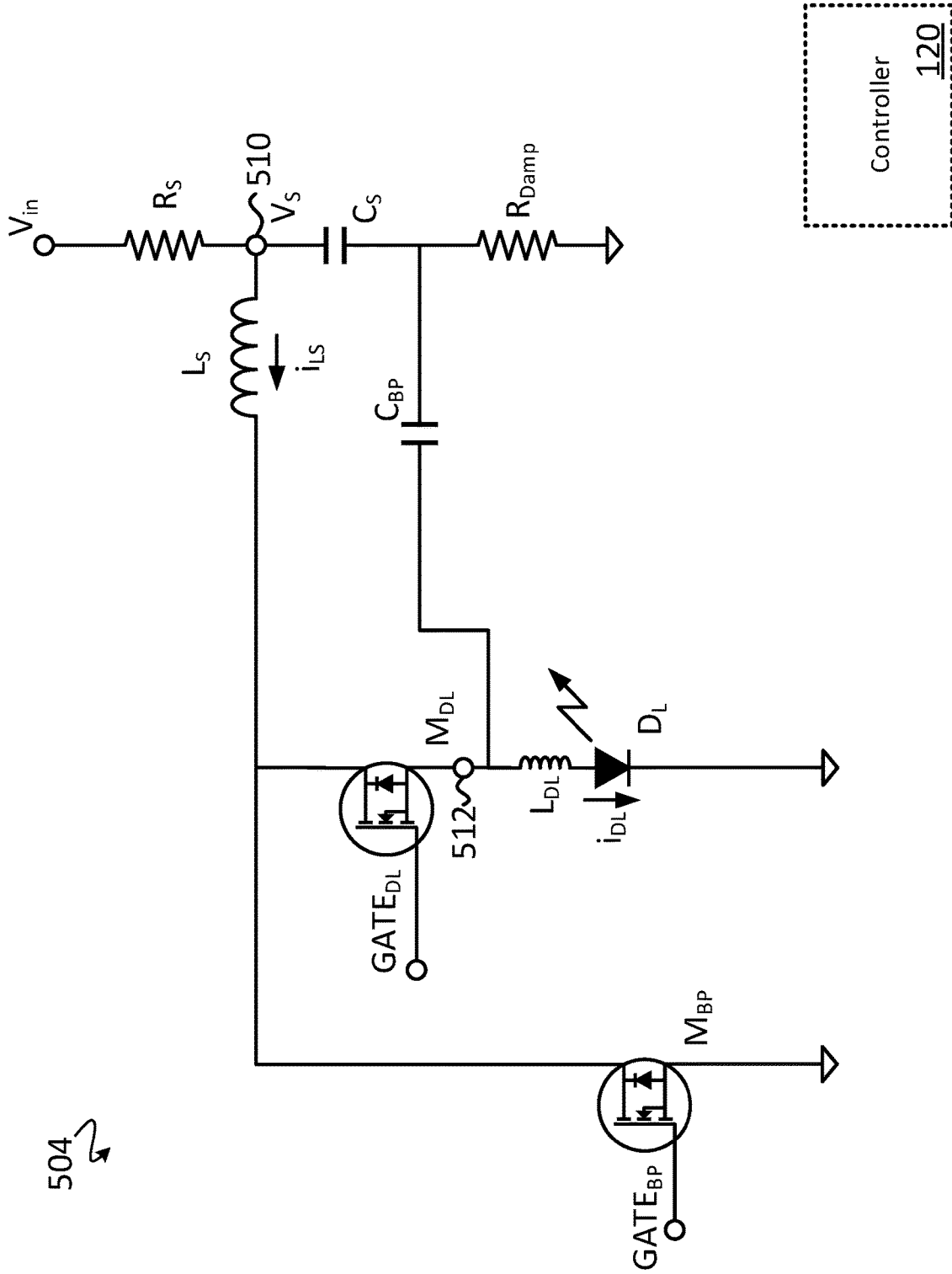


FIG. 6A

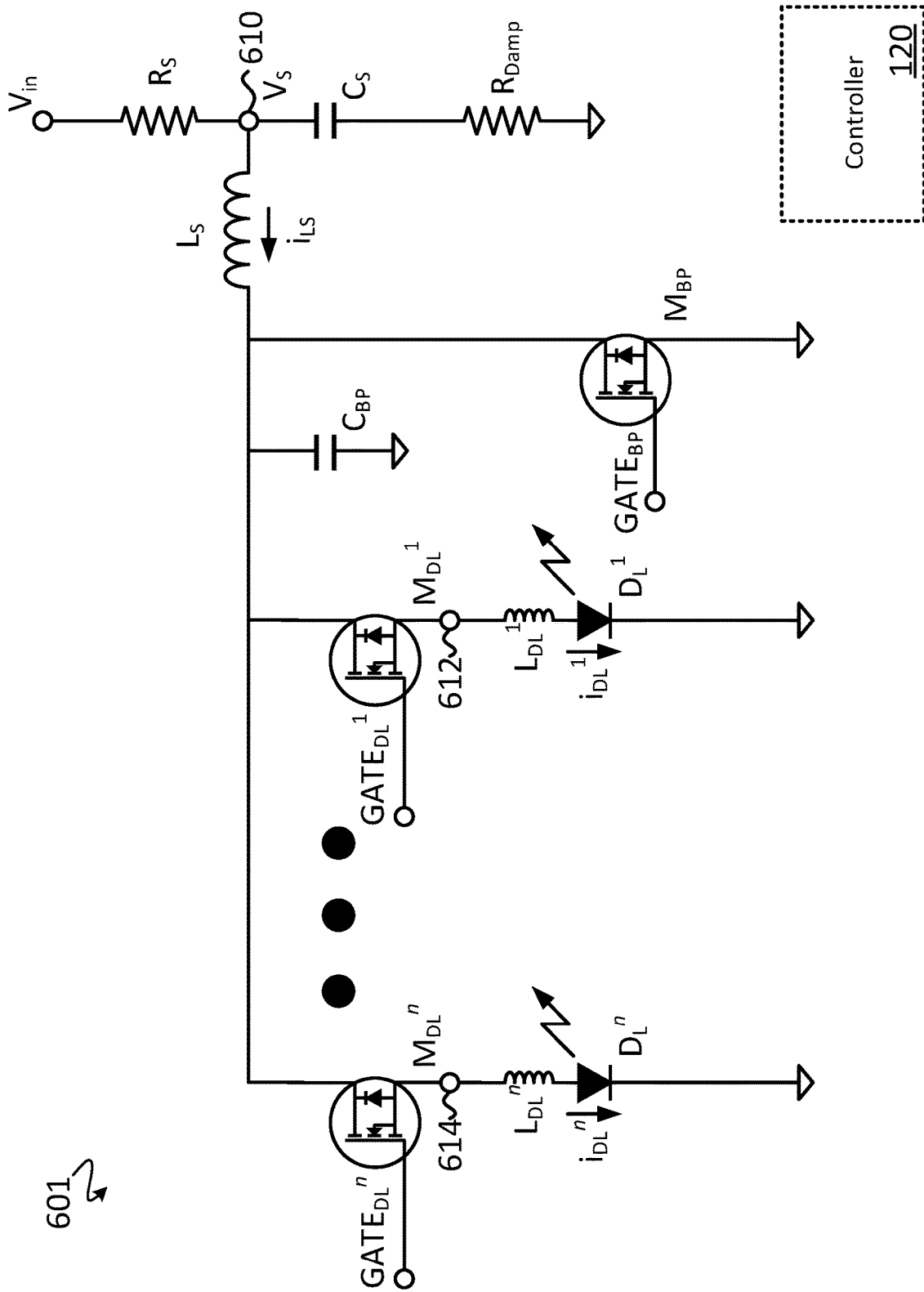


FIG. 6B

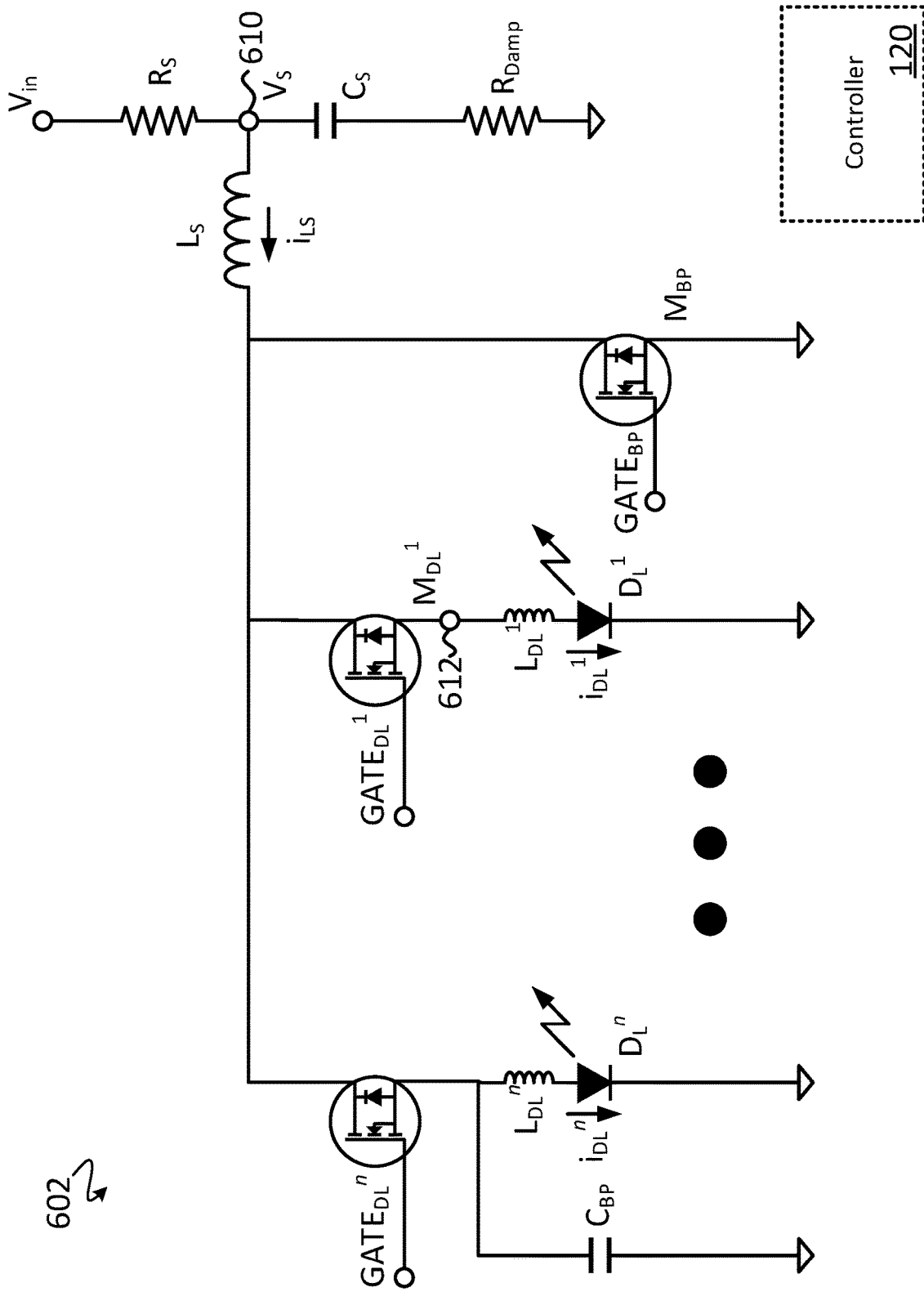
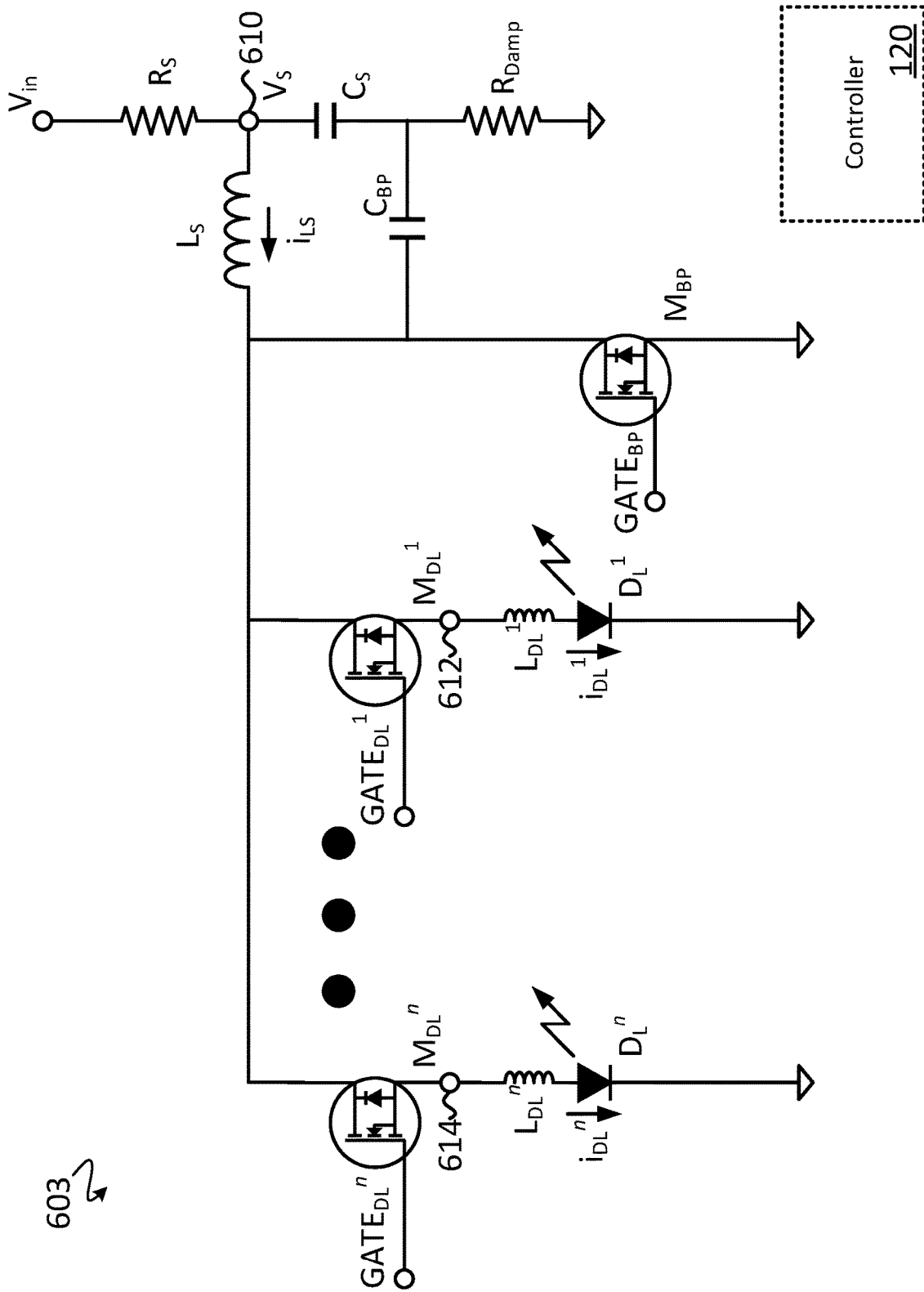


FIG. 6C



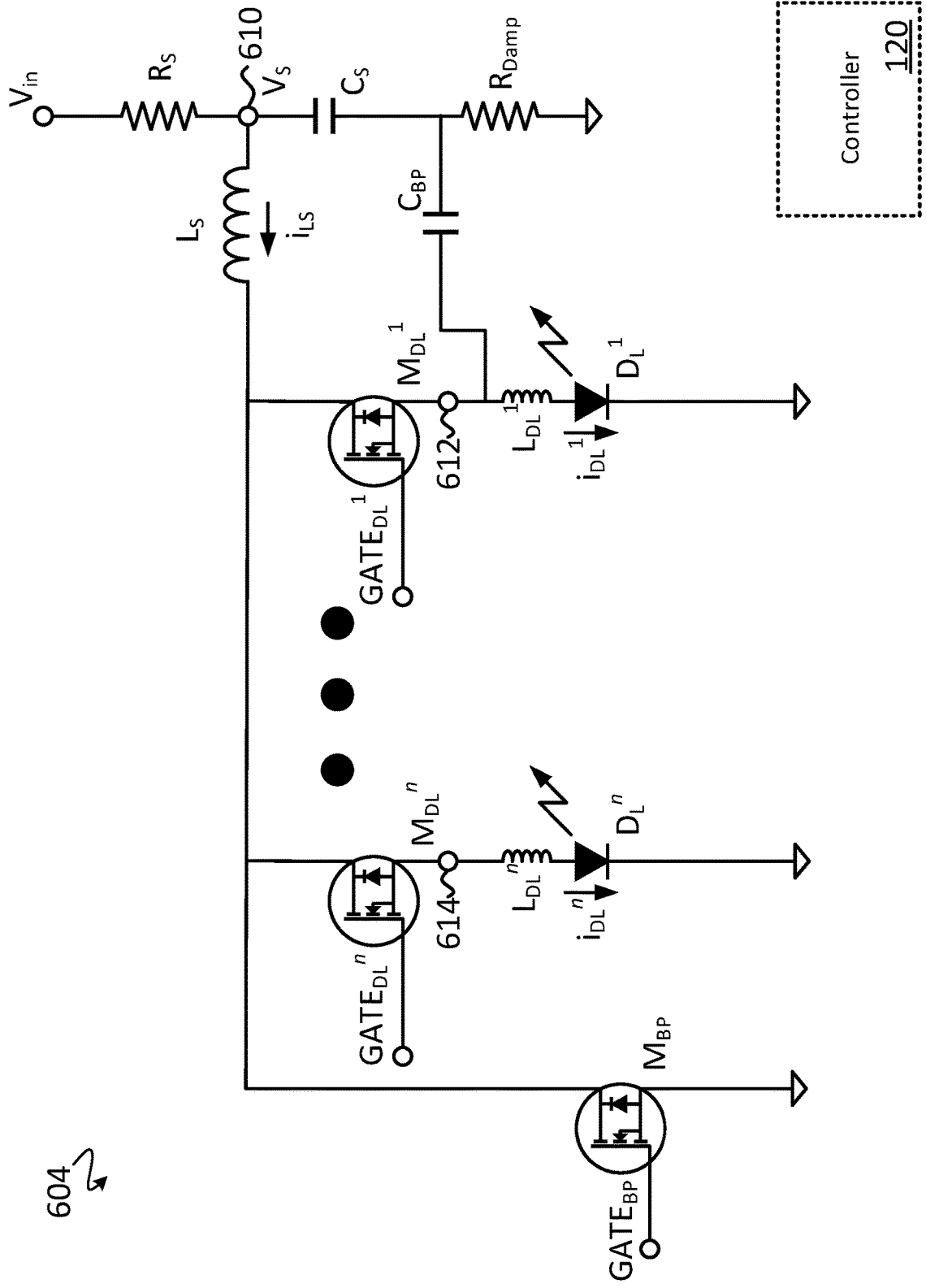


FIG. 6D

604 ↷

FIG. 7A

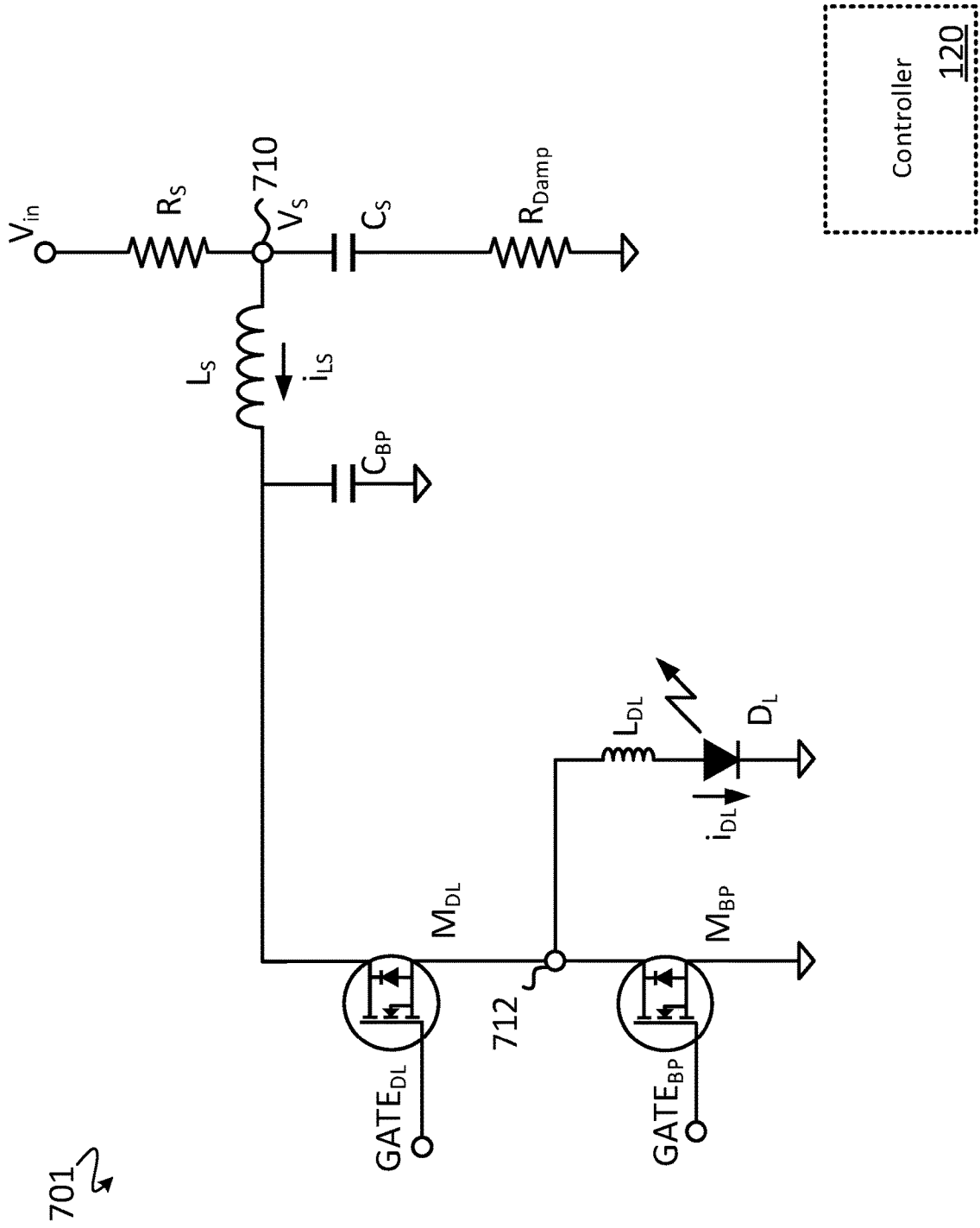


FIG. 7B

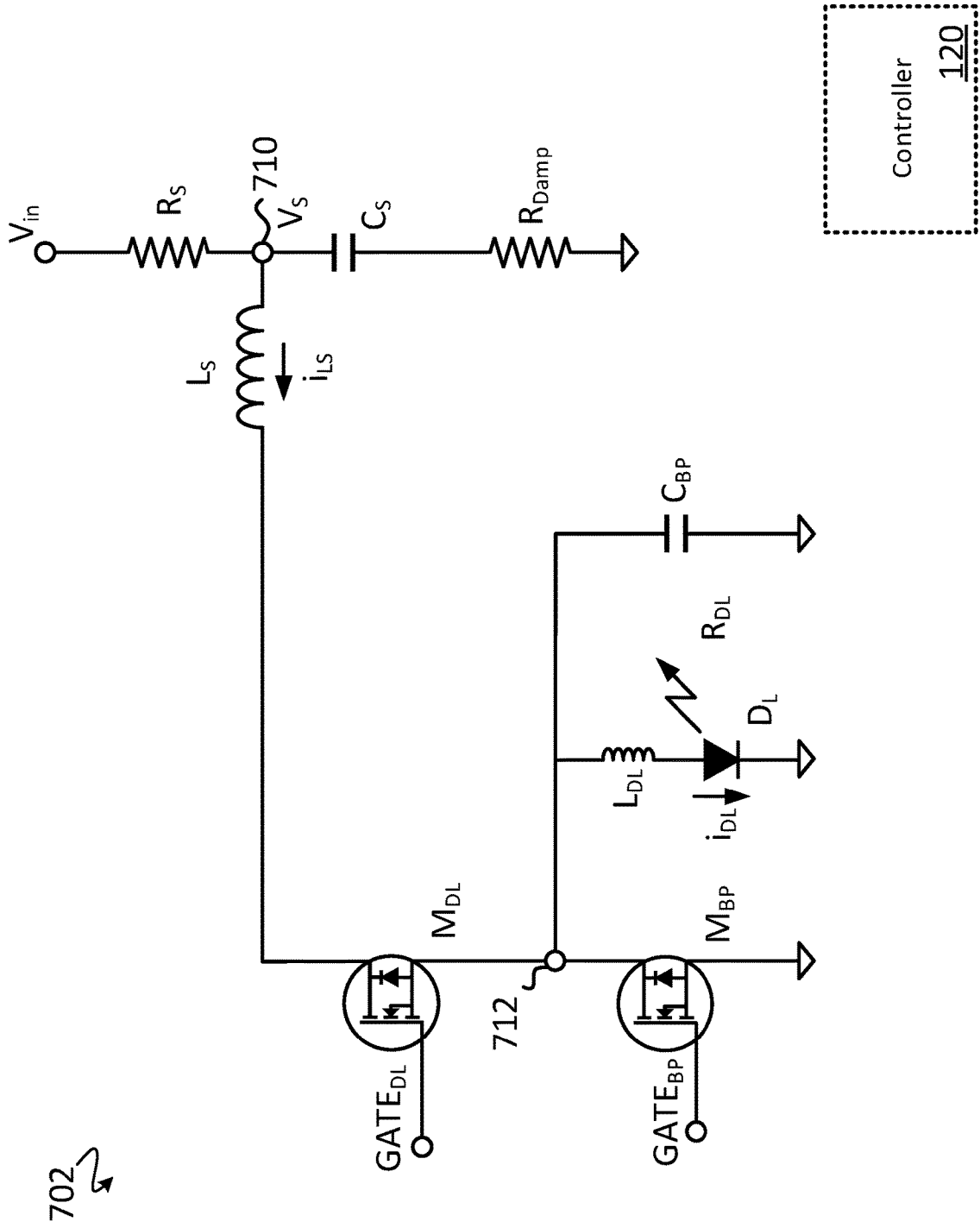


FIG. 7C

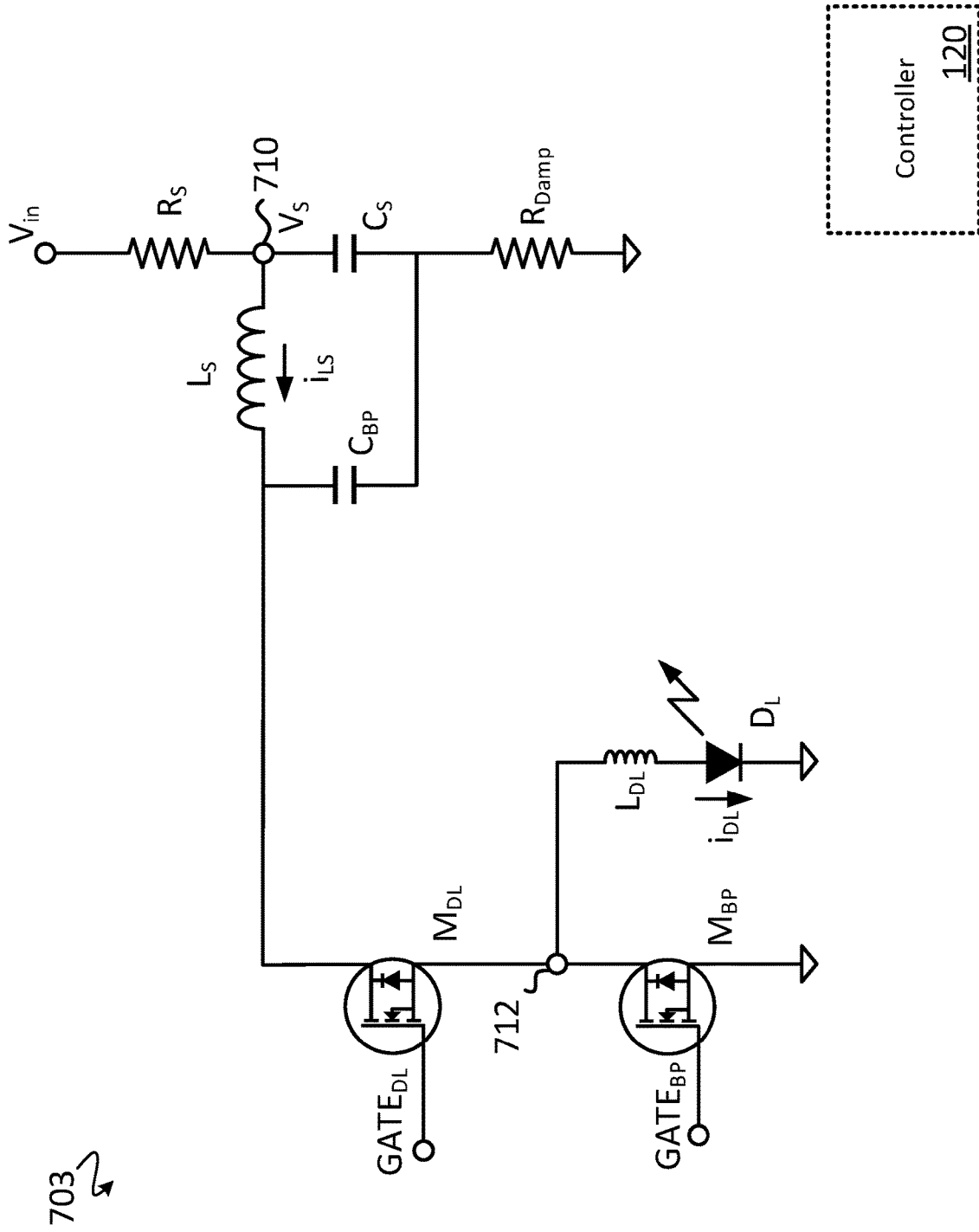


FIG. 7D

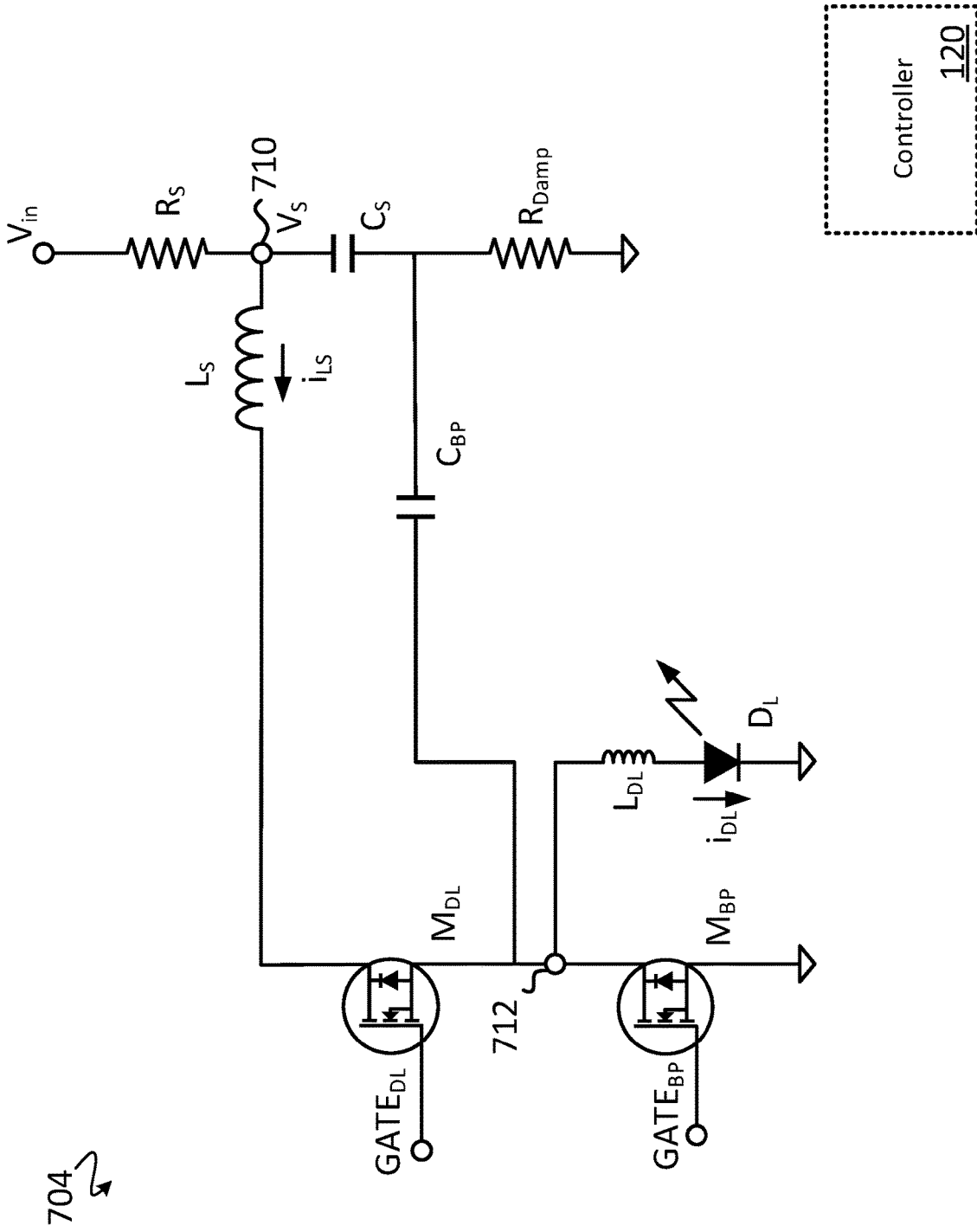


FIG. 7E

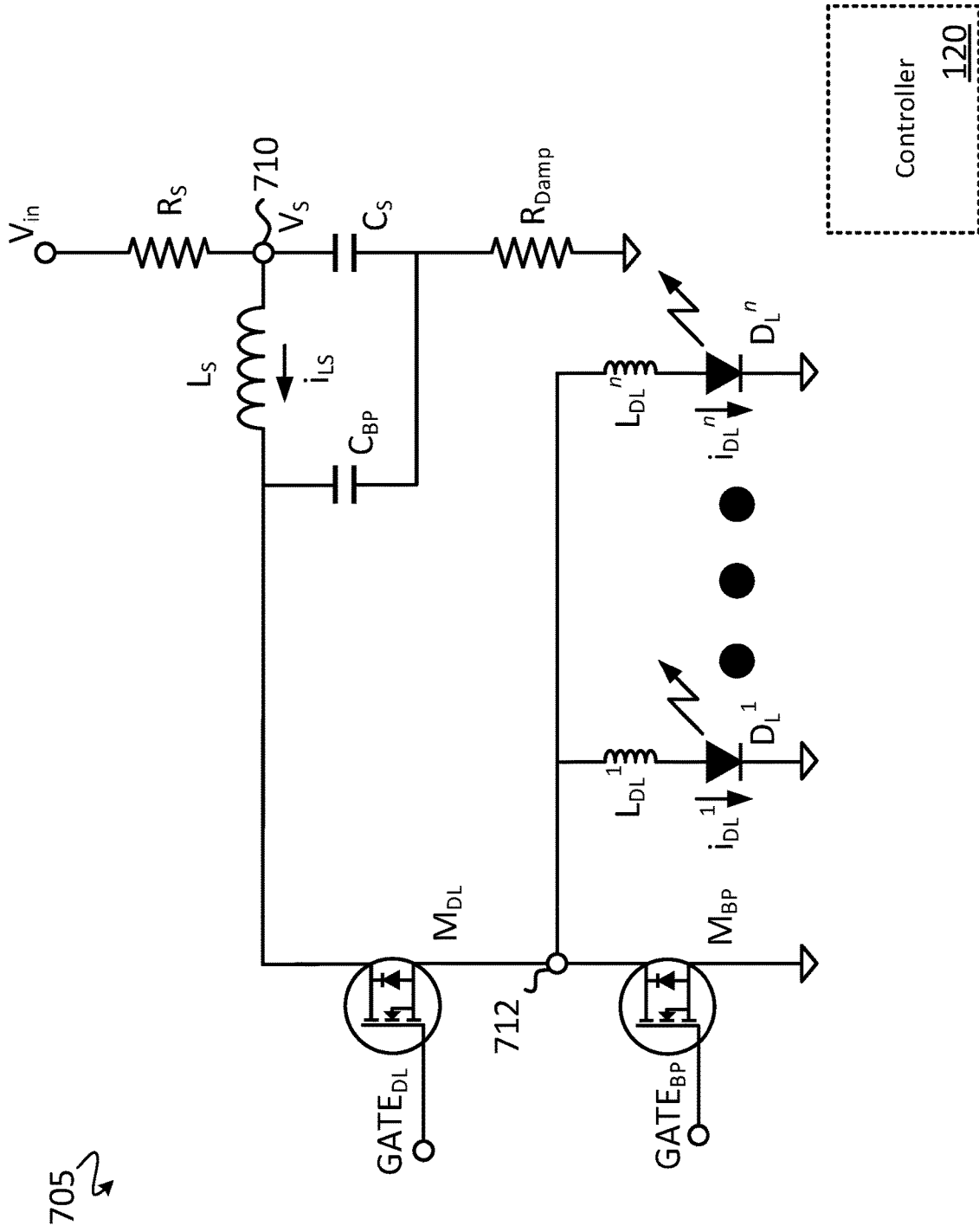


FIG. 8A

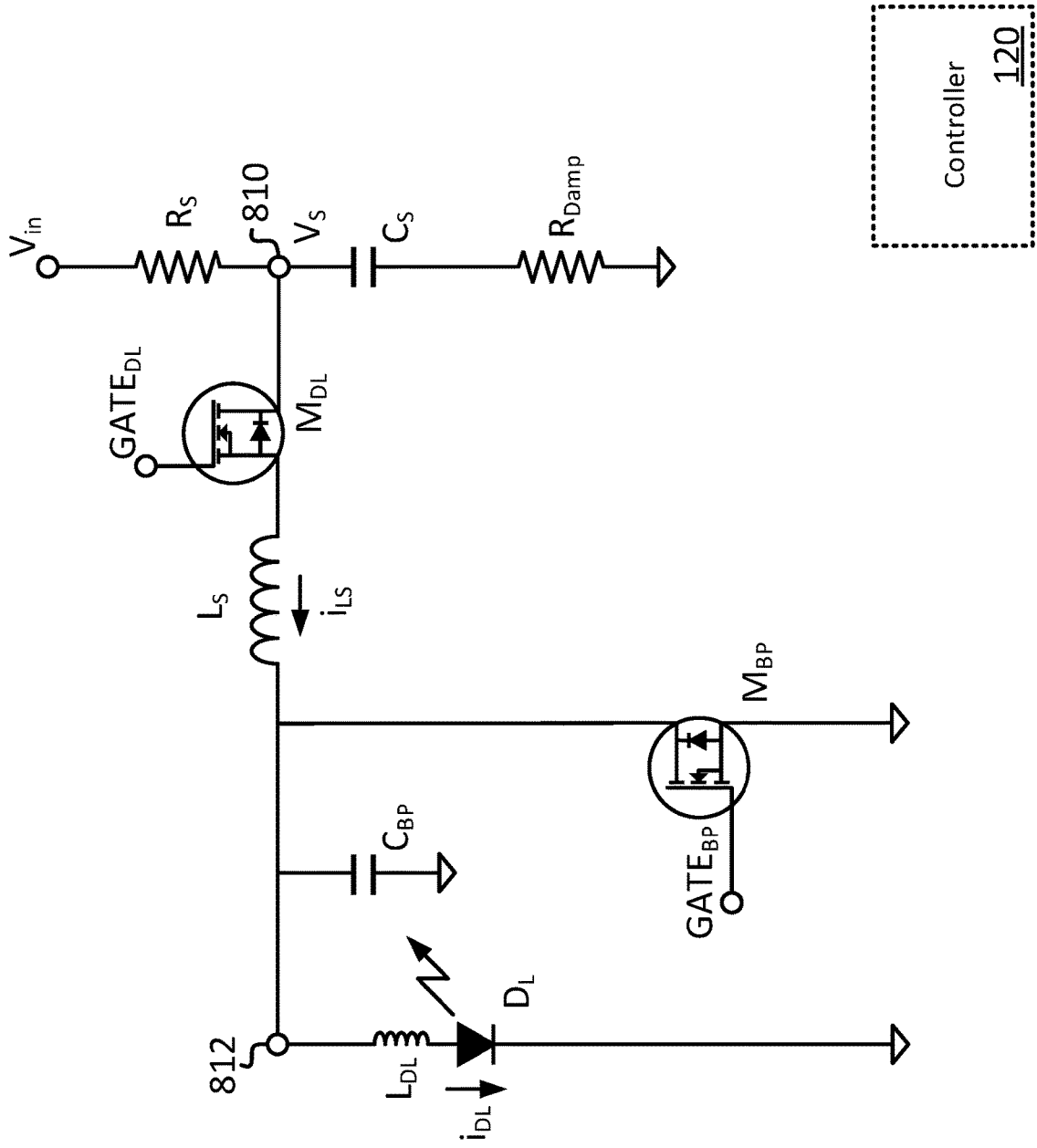


FIG. 8B

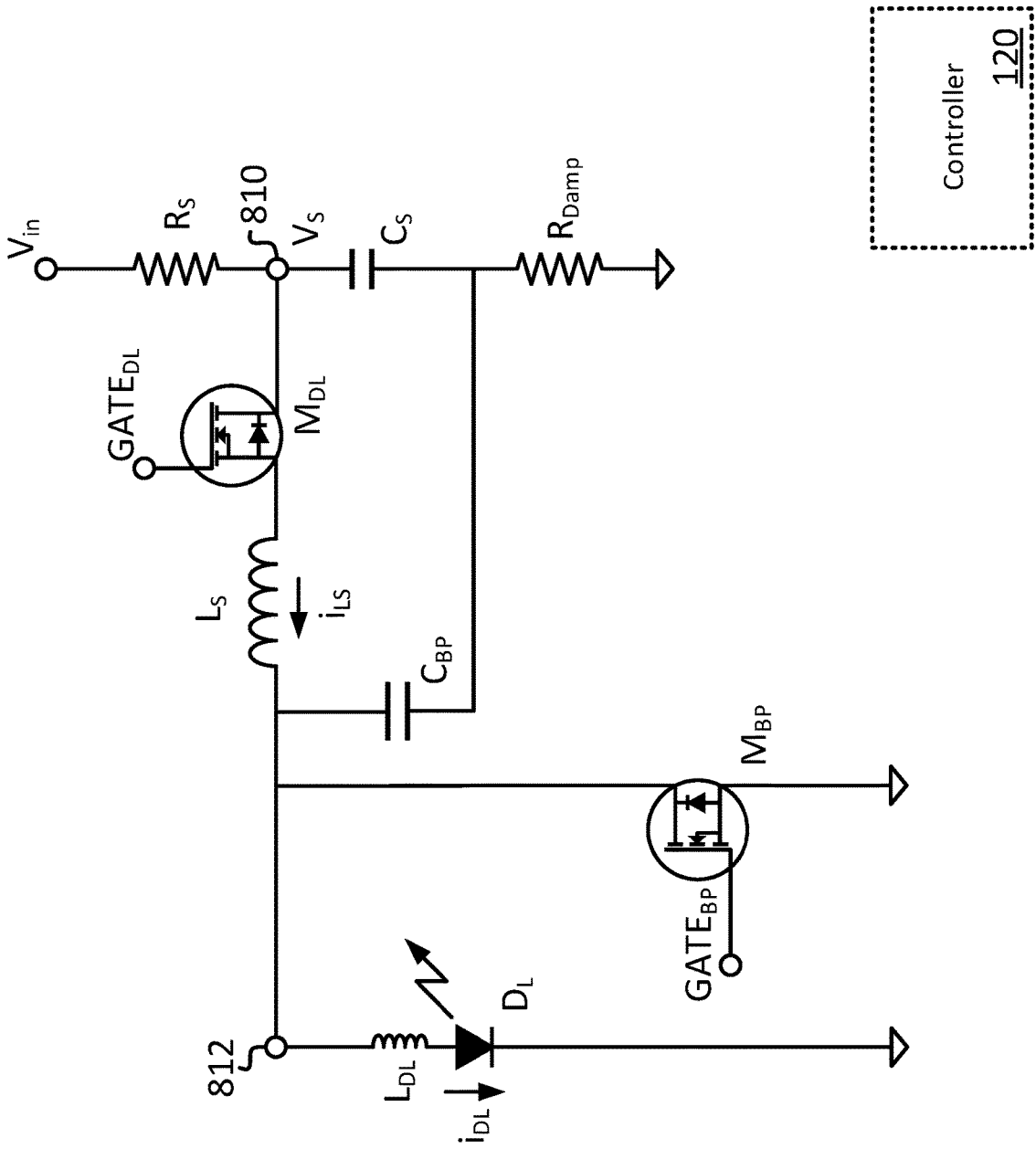


FIG. 9A

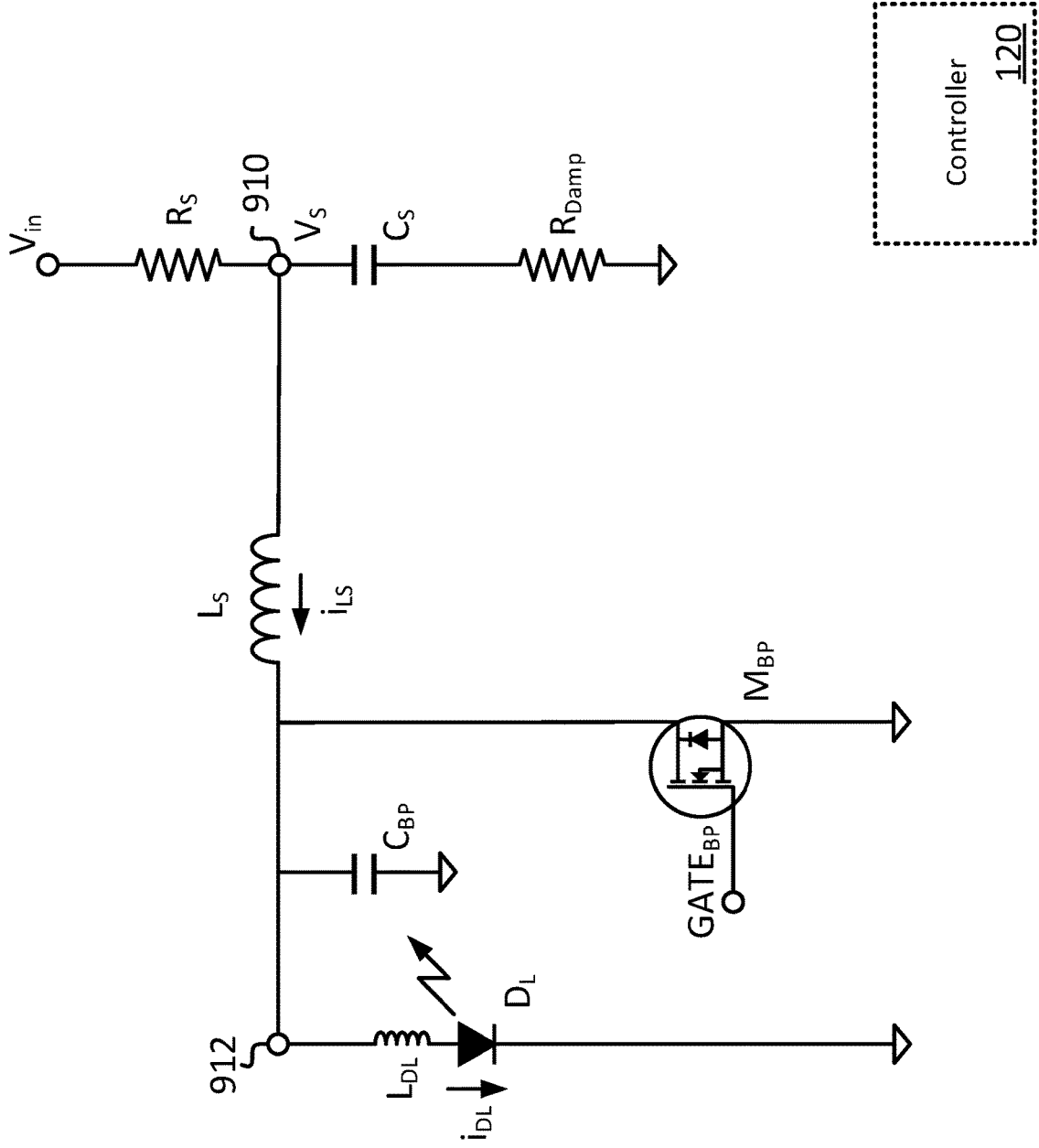


FIG. 9B

902 ↻

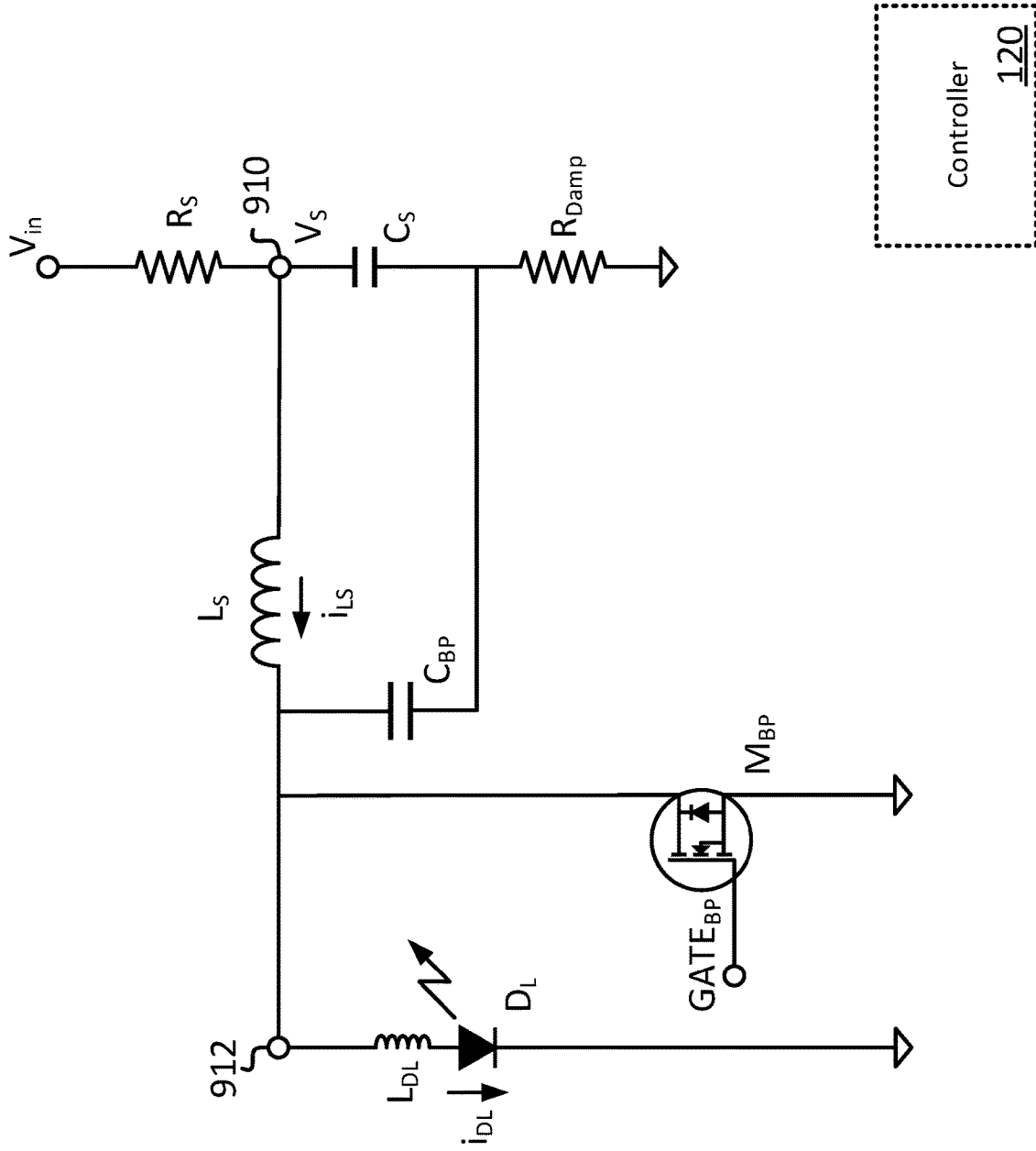
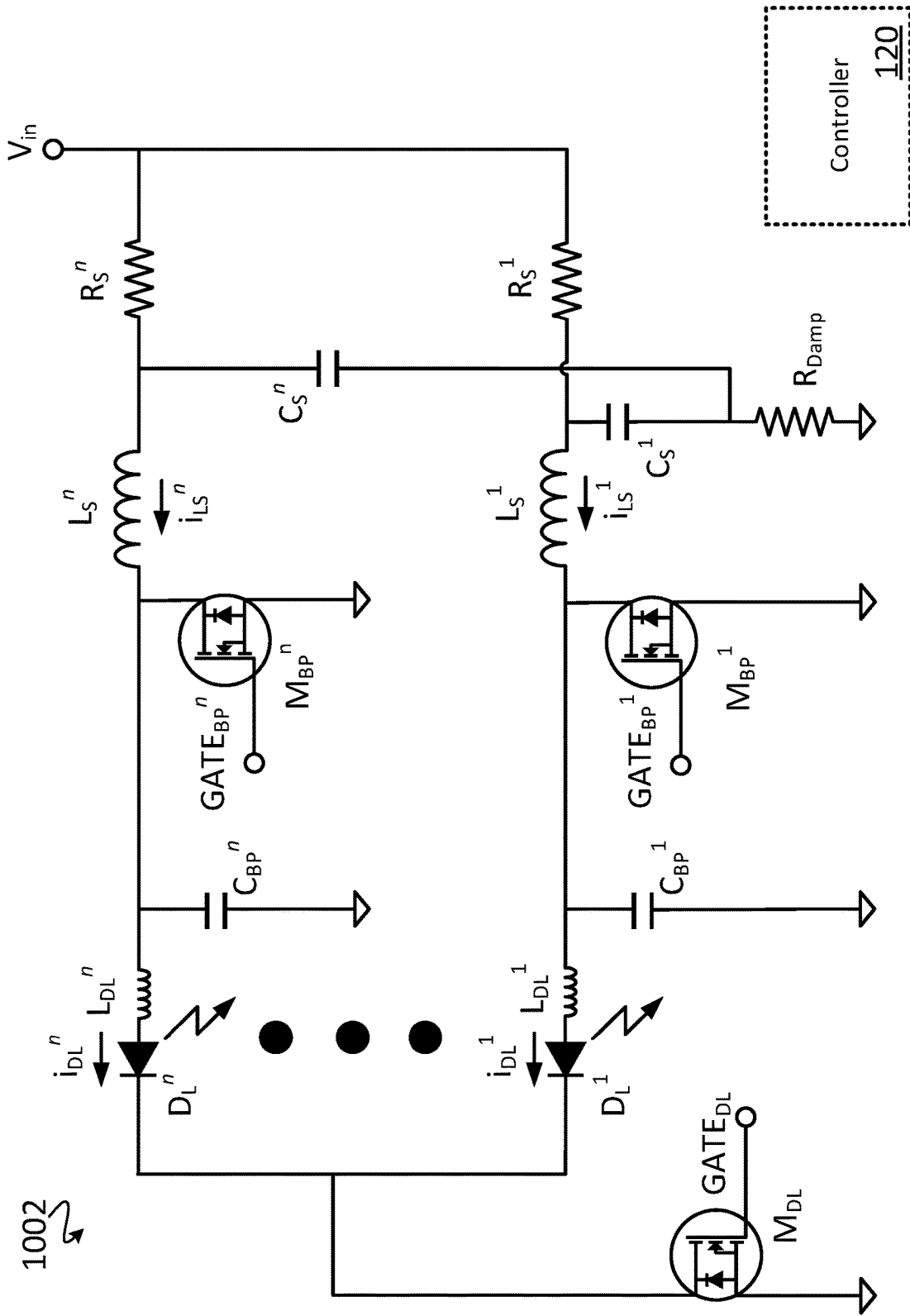


FIG. 10A



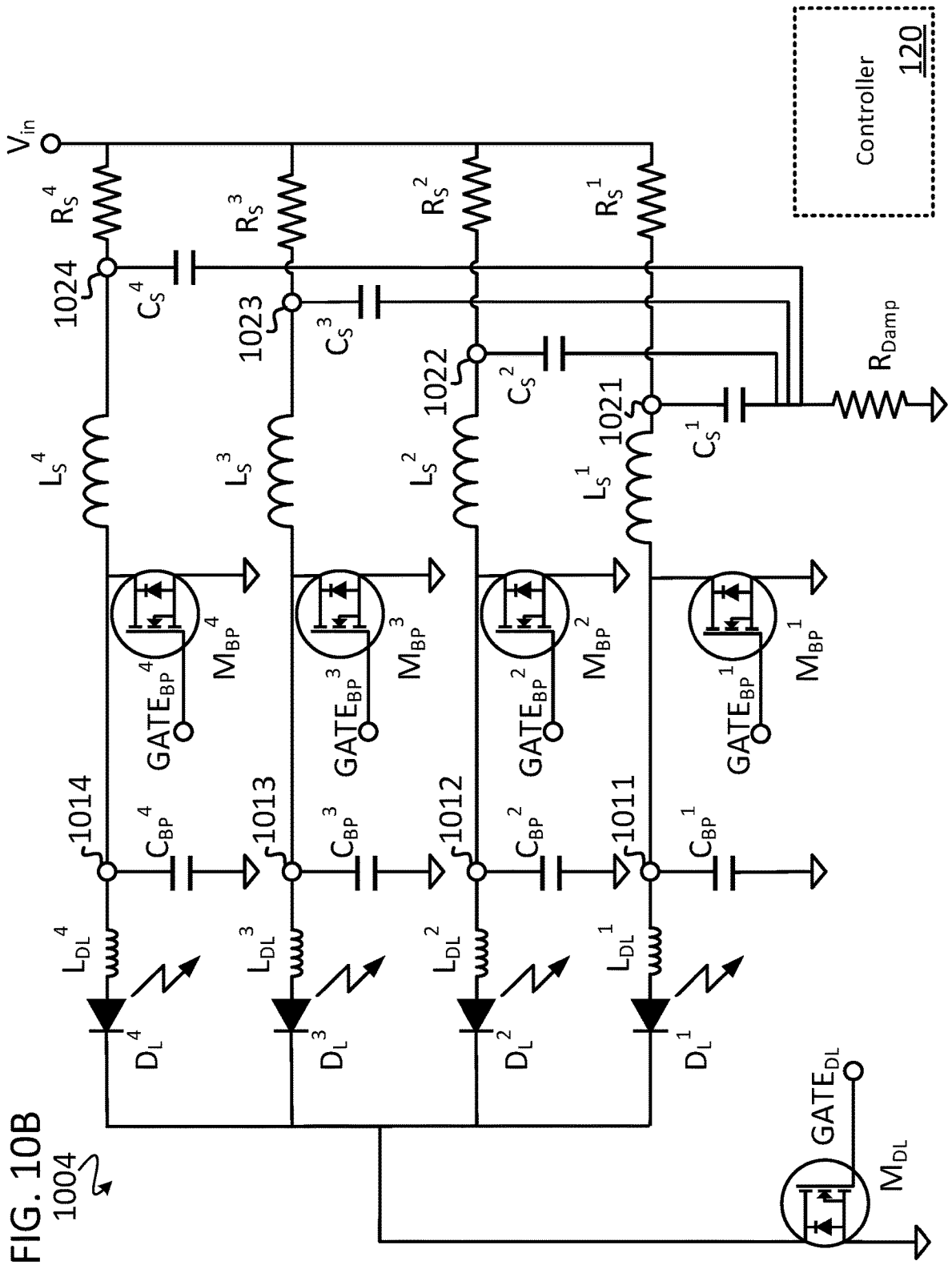


FIG. 10B
1004

FIG. 11

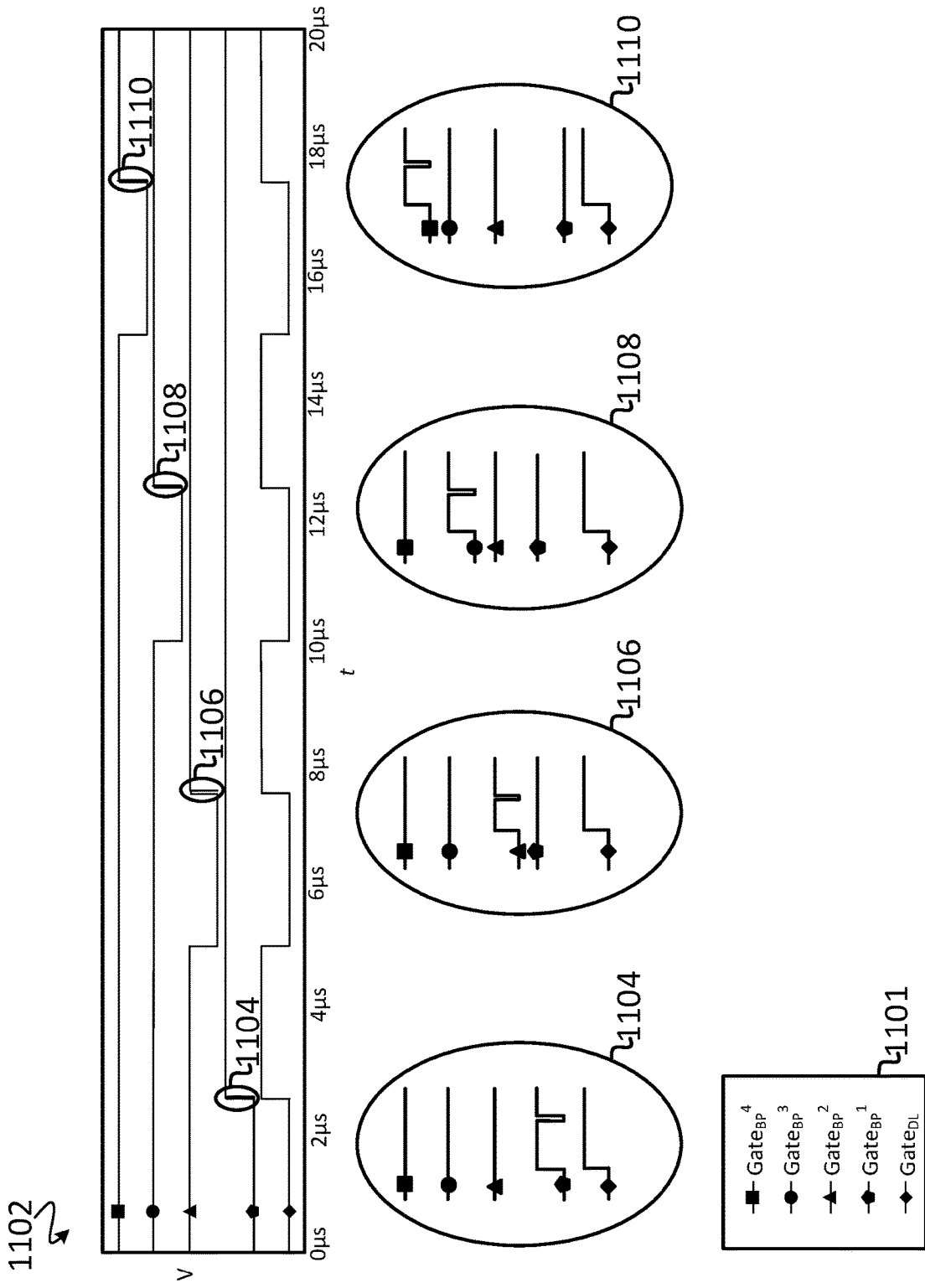
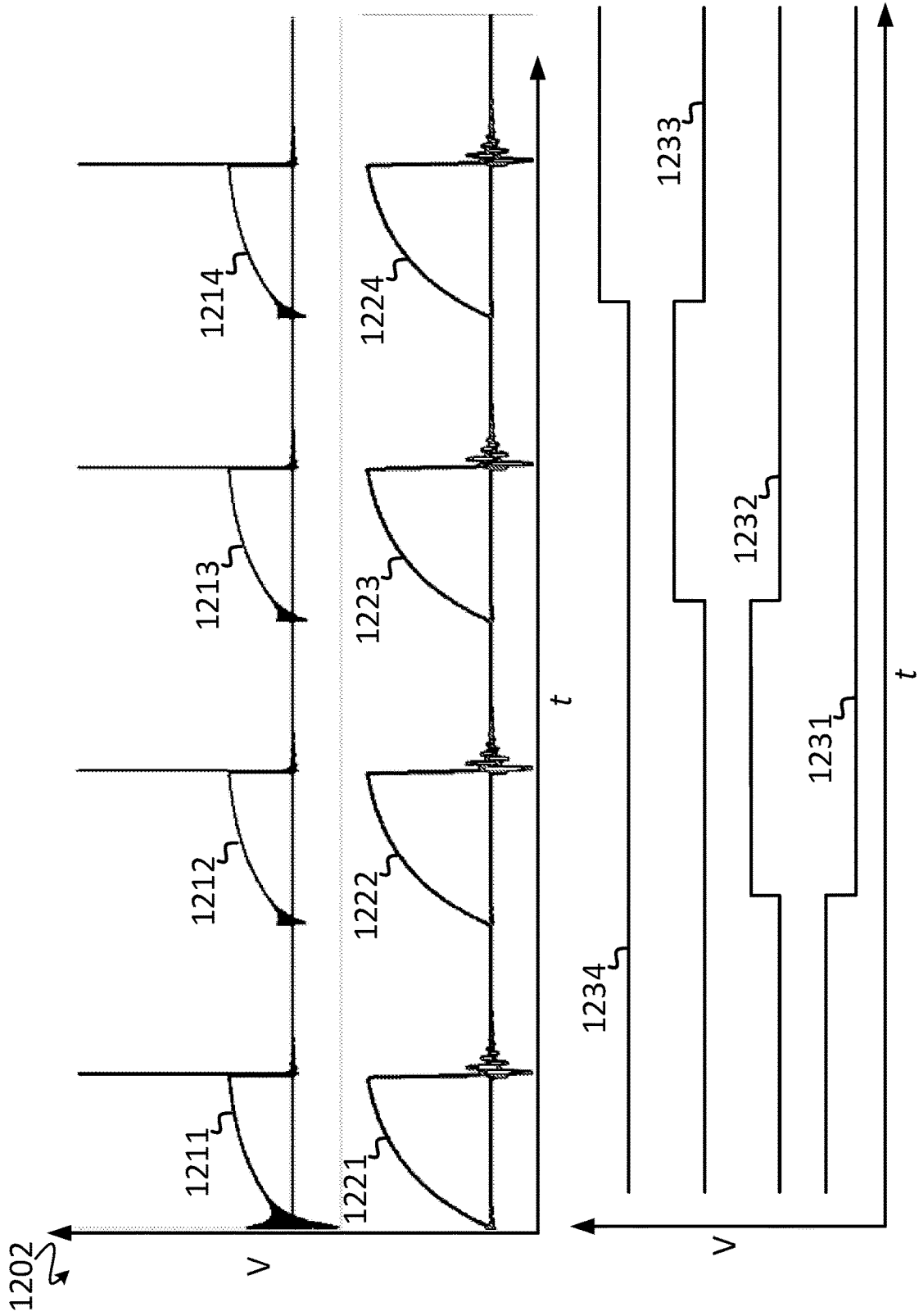


FIG. 12



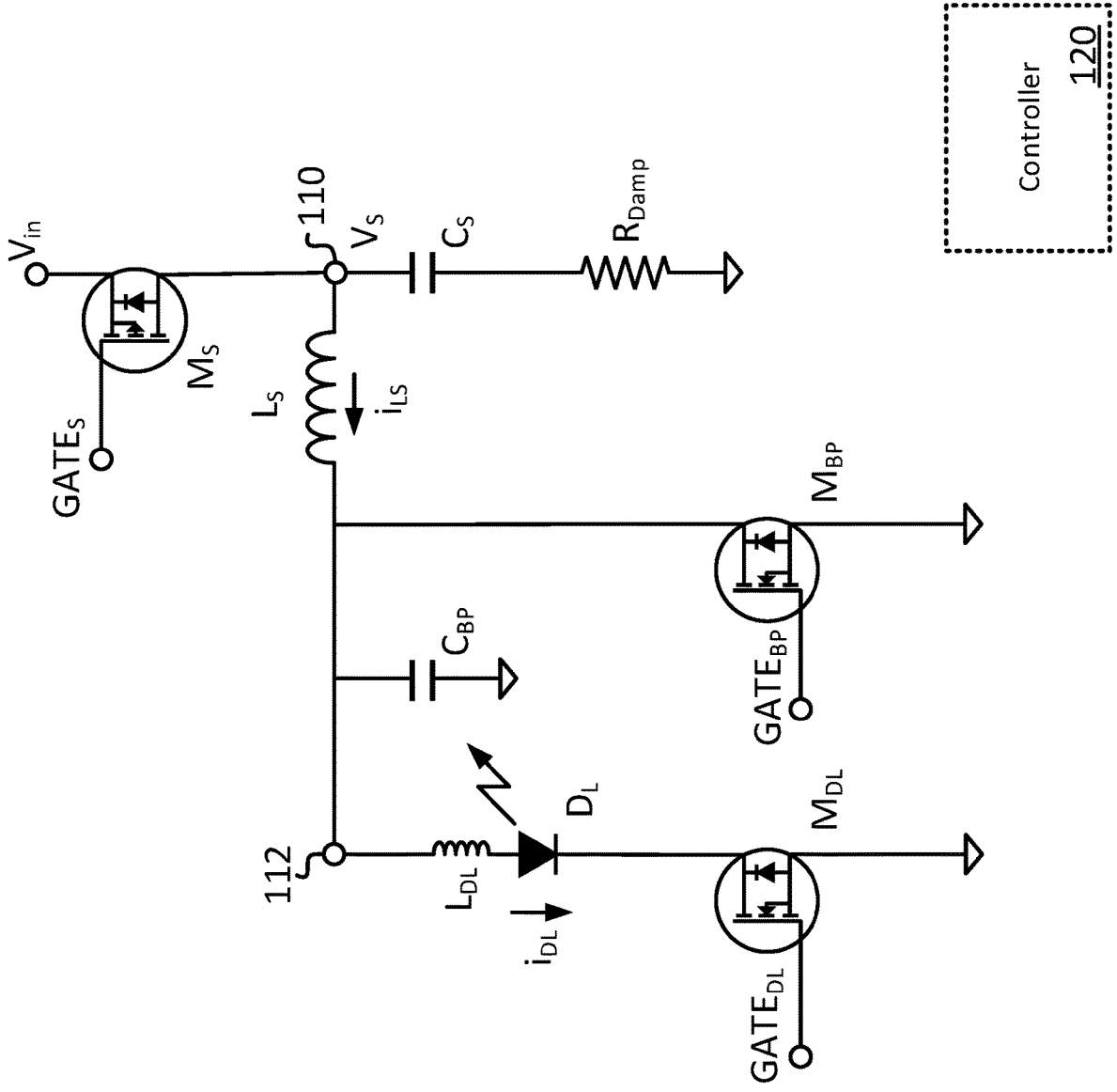


FIG. 13A

1301 ↻

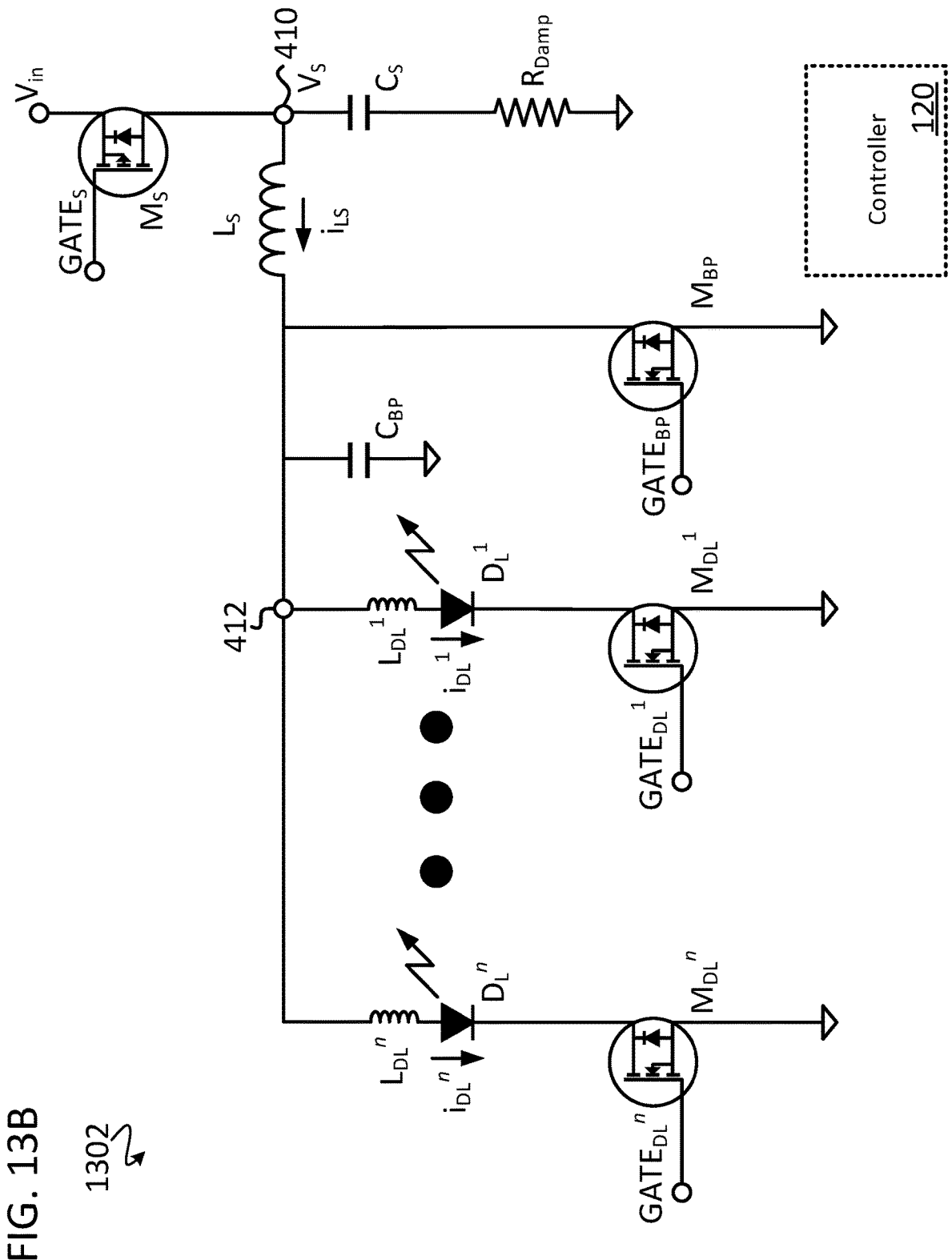


FIG. 13B

1302

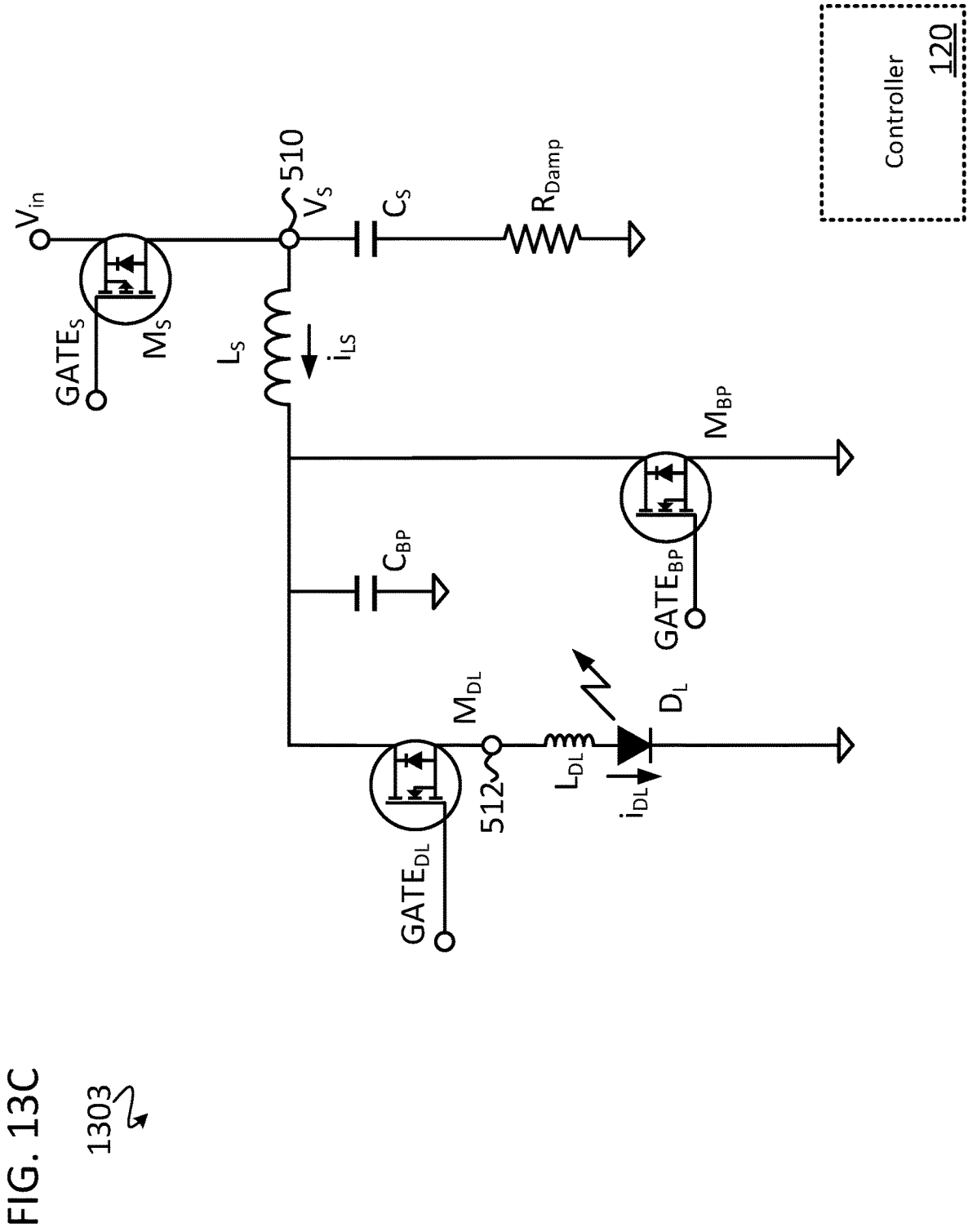


FIG. 13C

1303

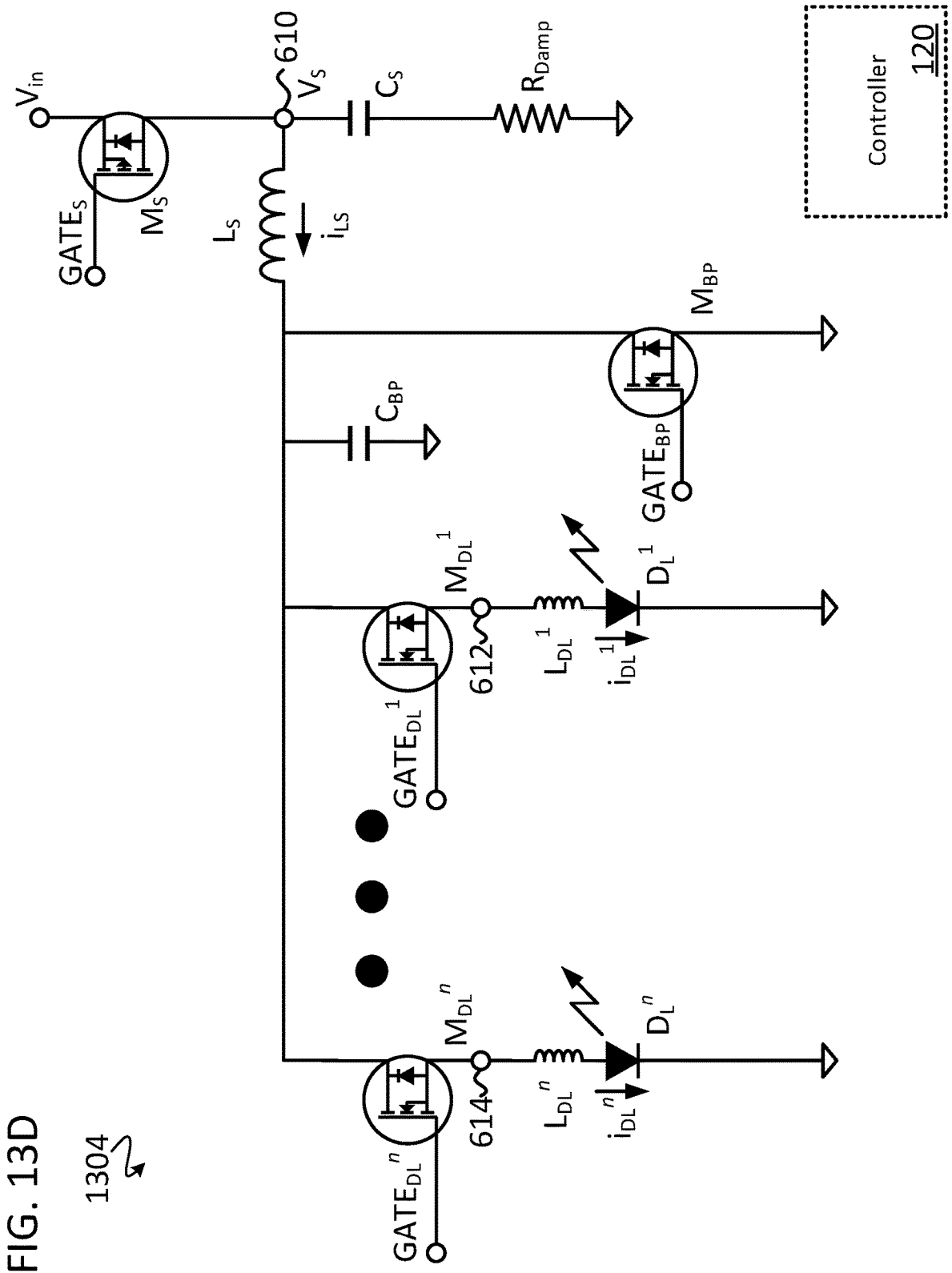


FIG. 13D

1304

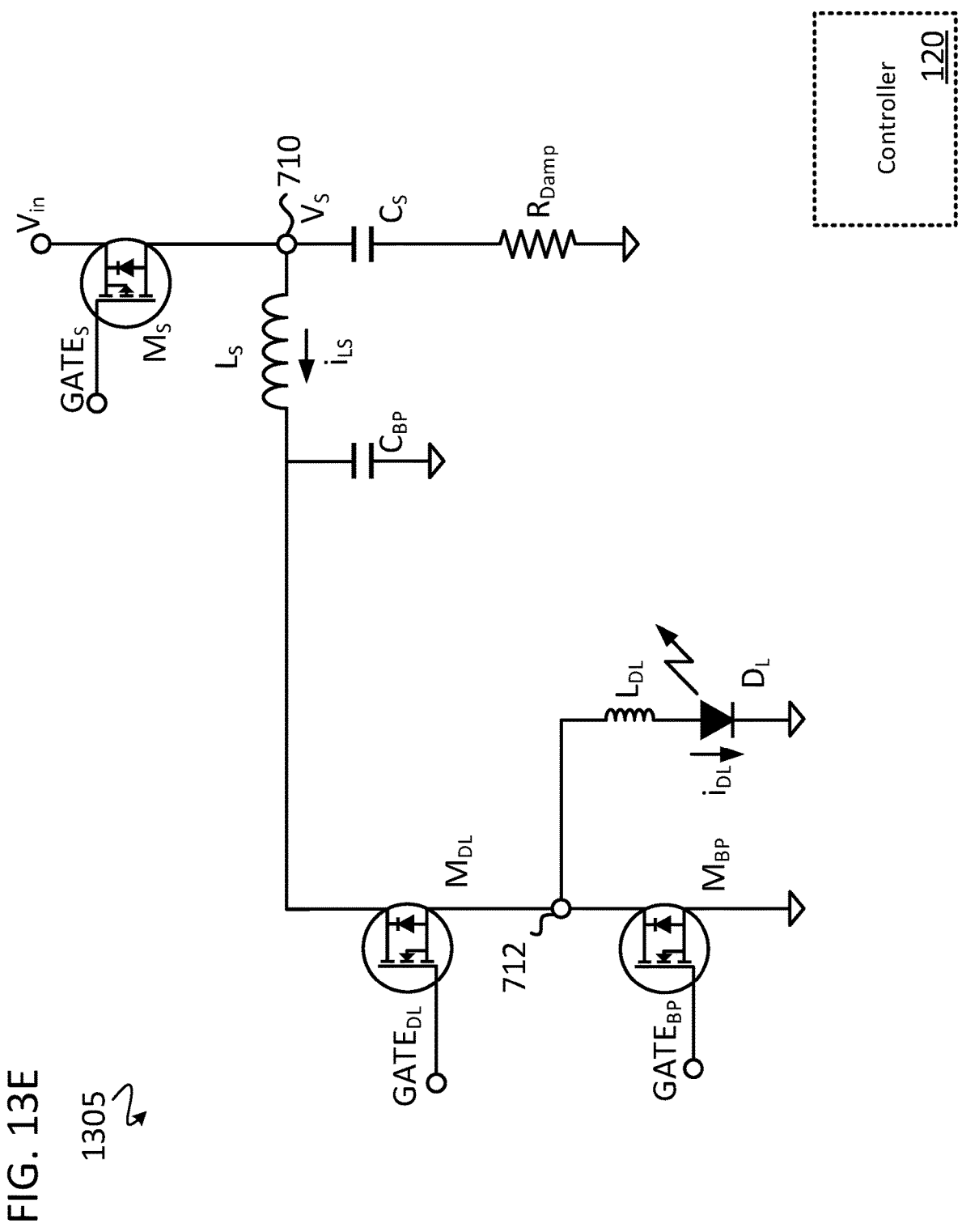


FIG. 13E

1305

FIG. 13F

1306

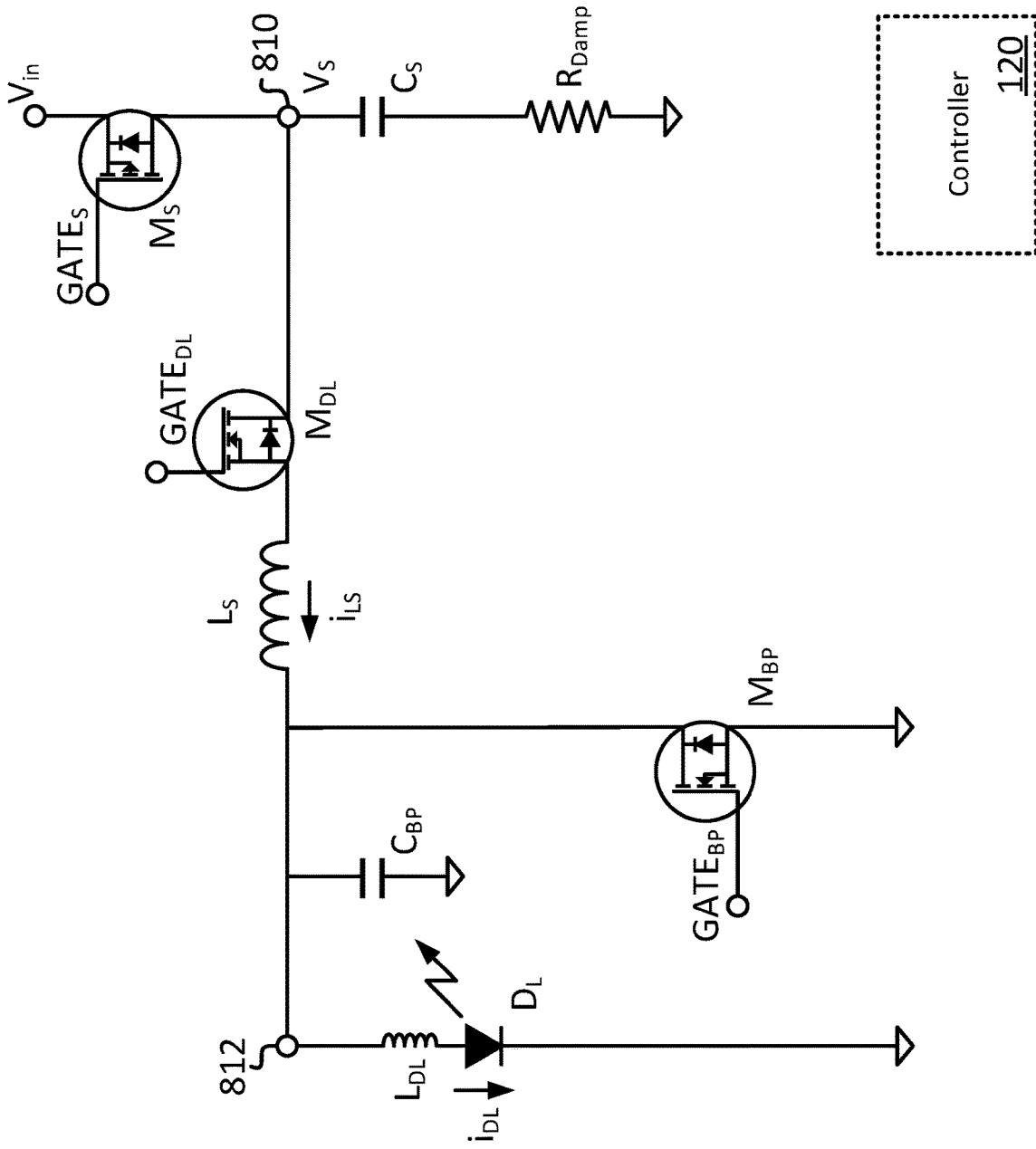
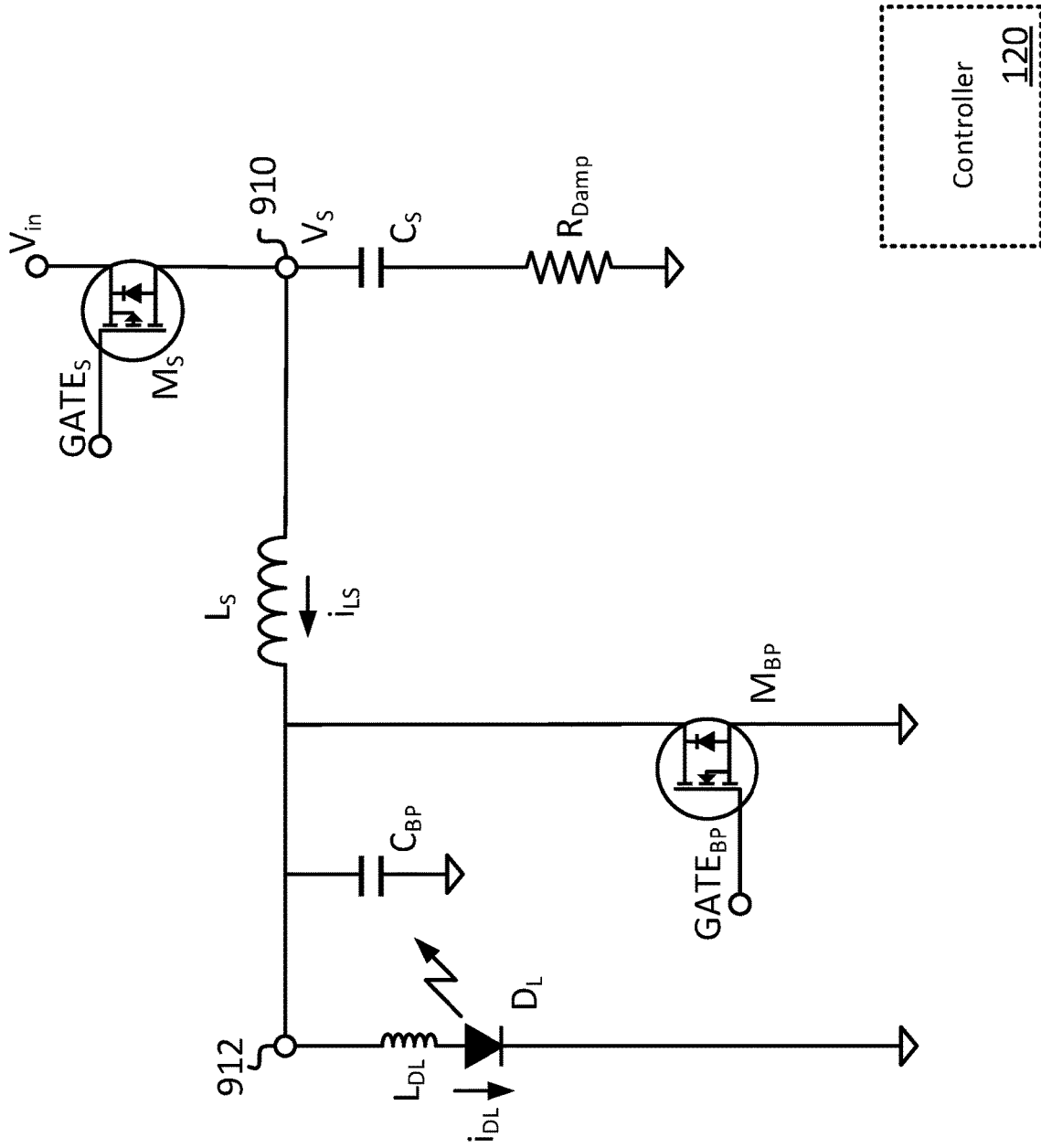


FIG. 13G

1307



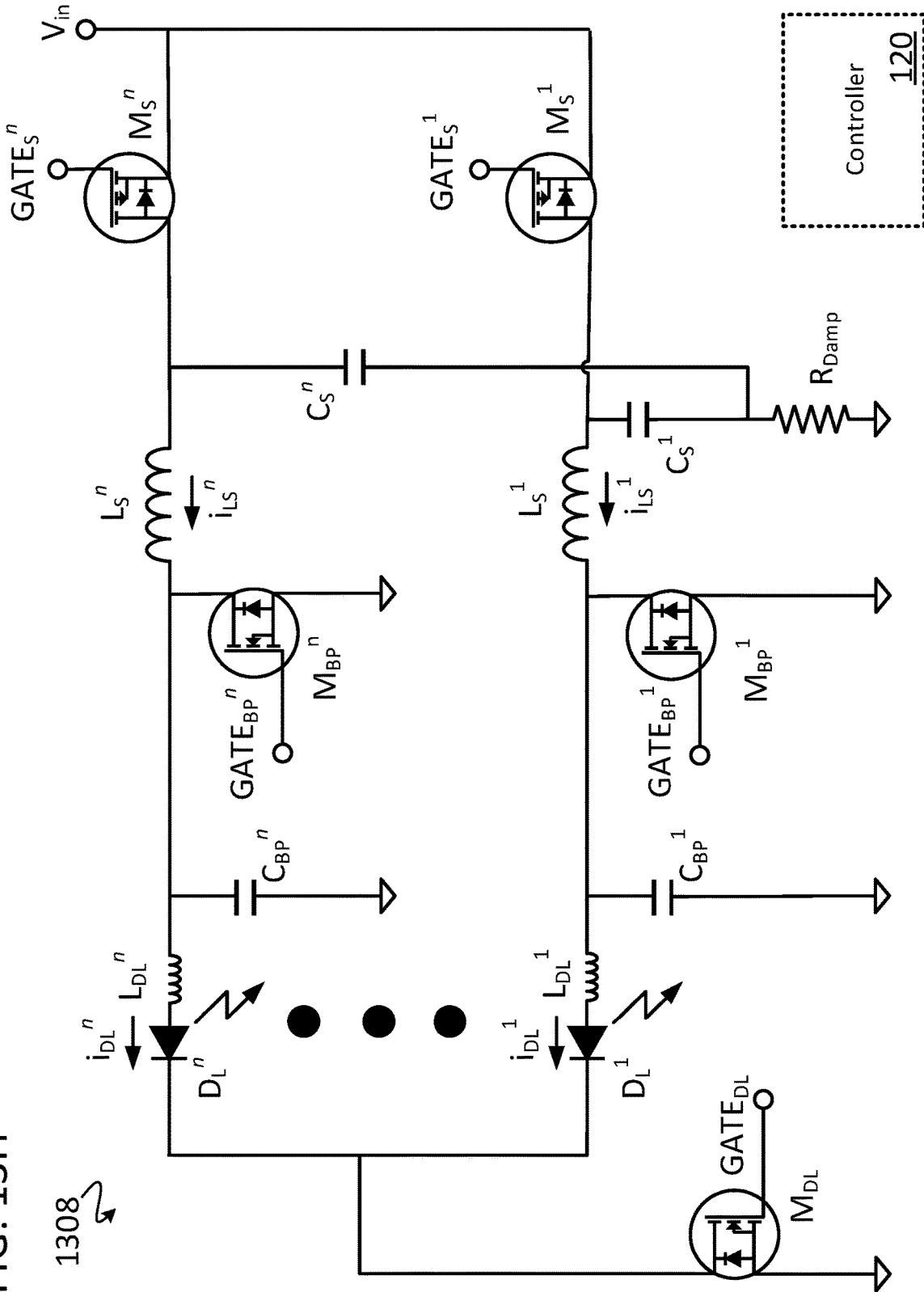


FIG. 13H

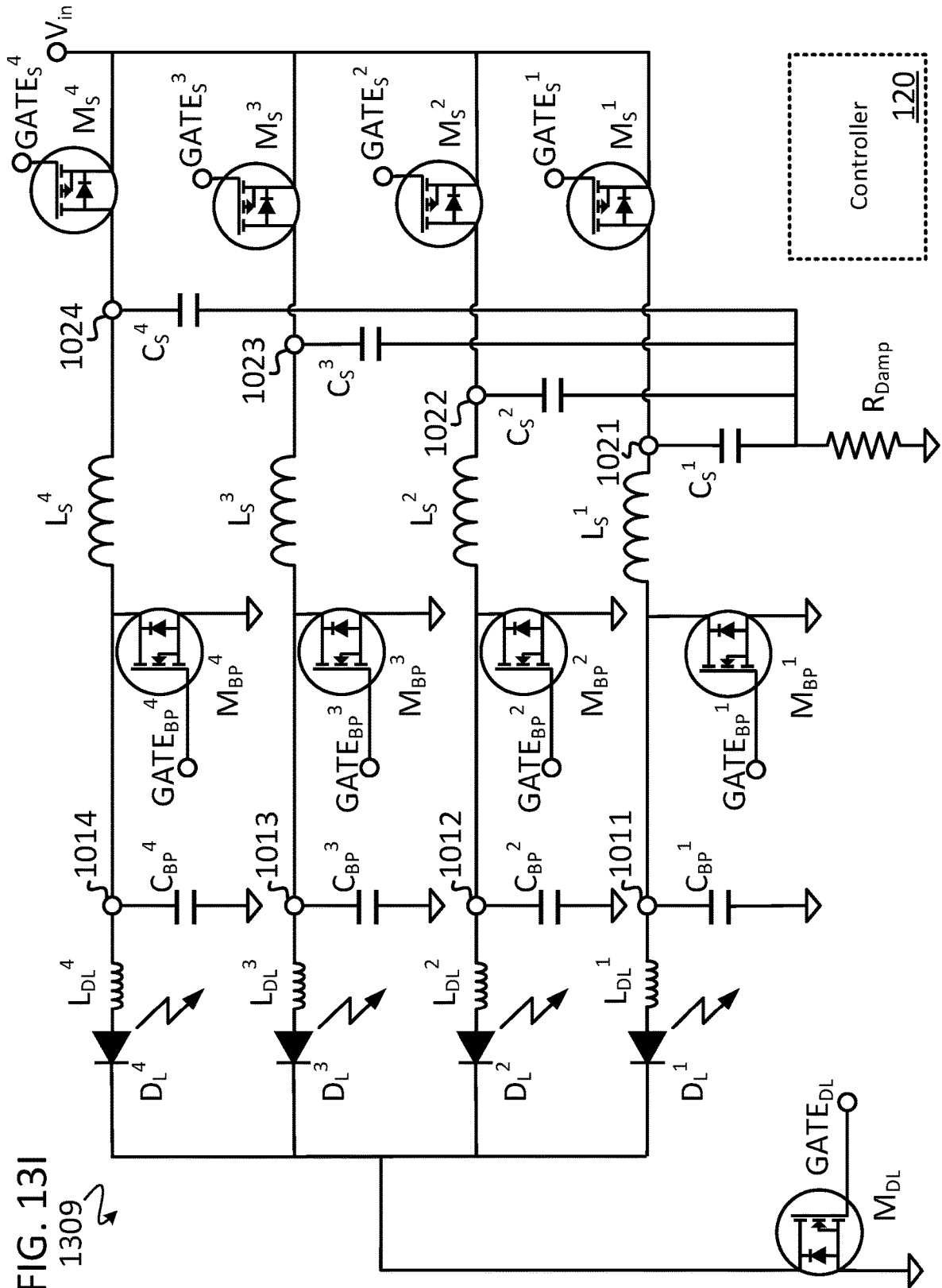
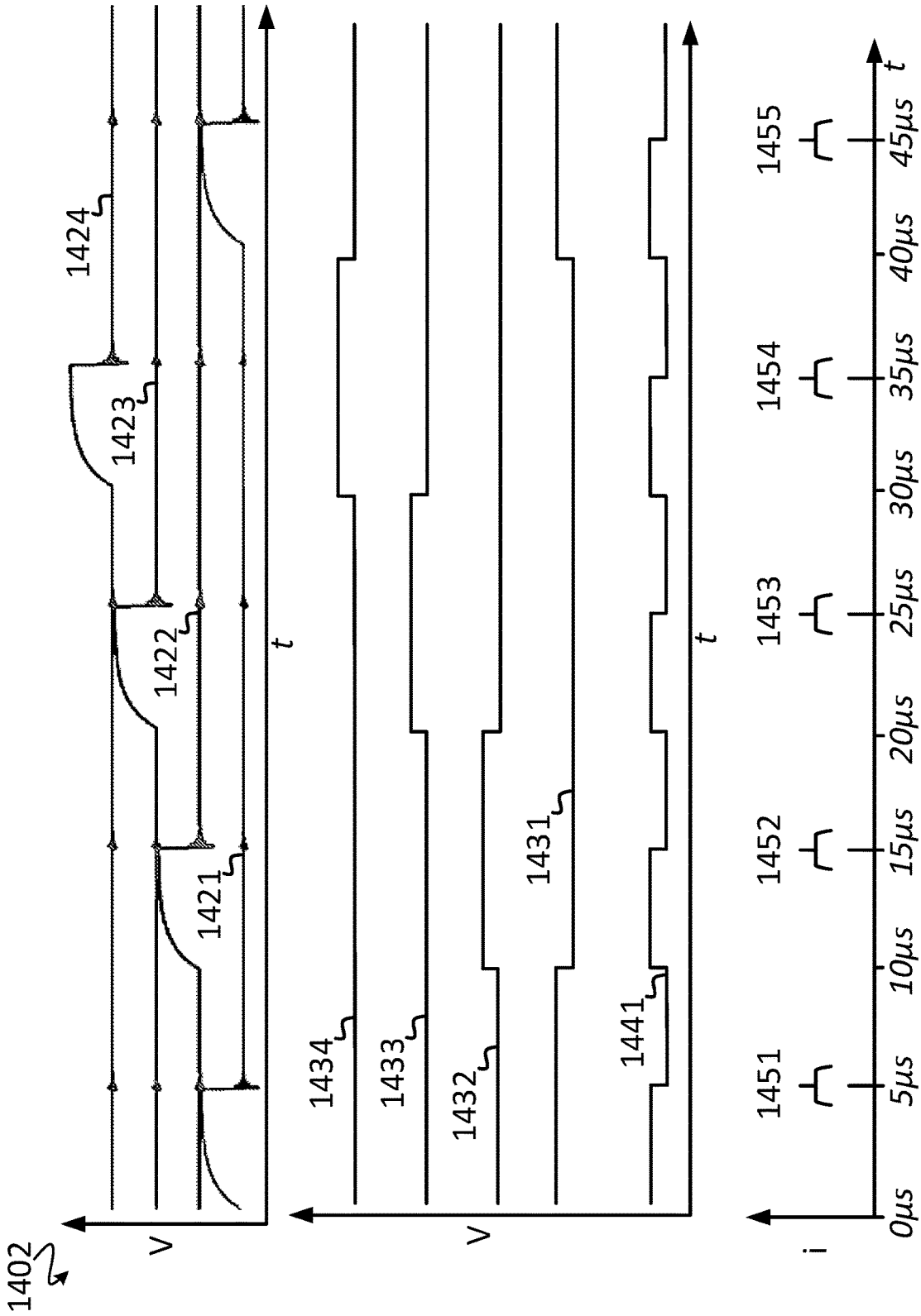


FIG. 131
1309

FIG. 14



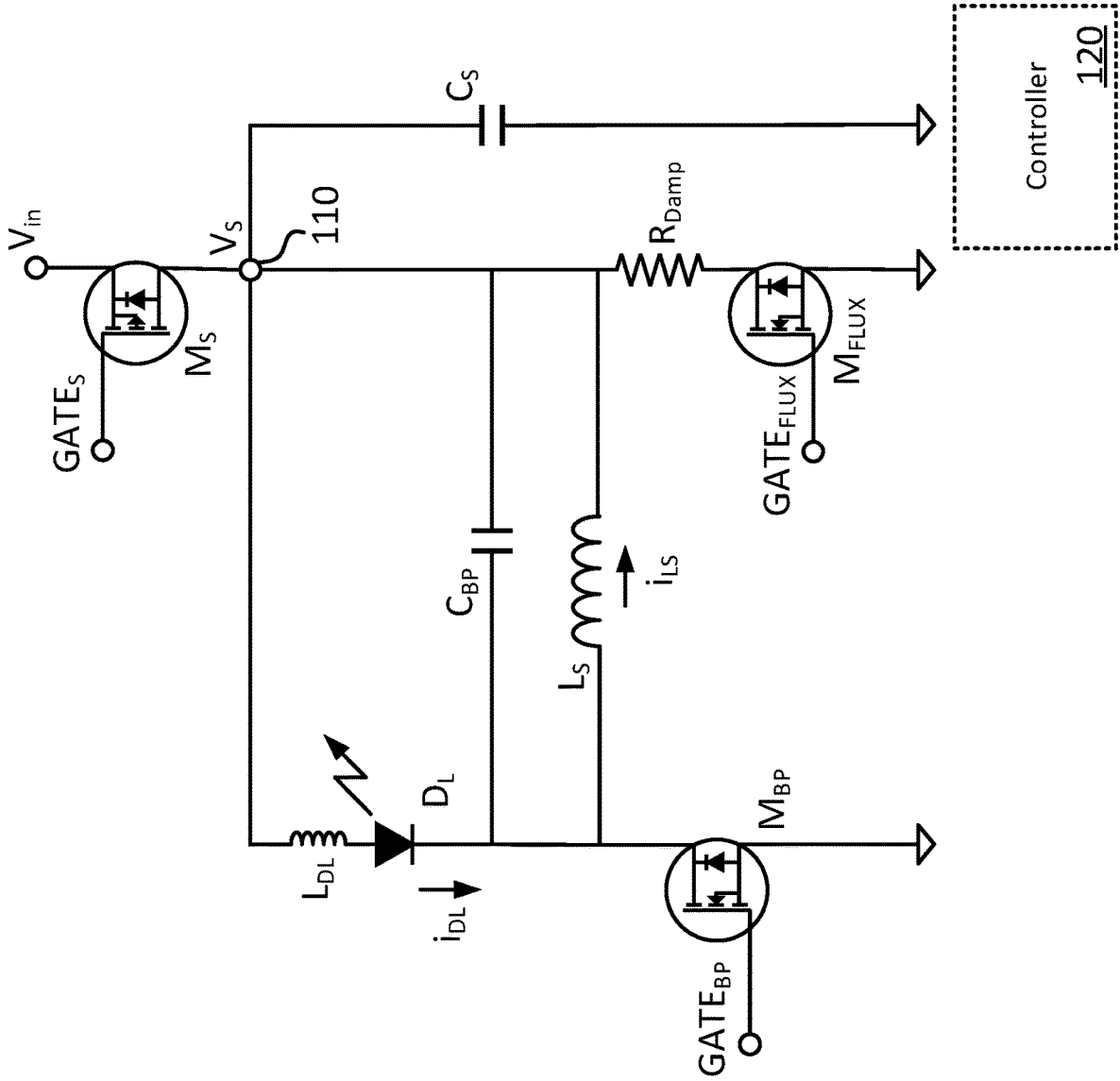


FIG. 15

1501 ↗

FIG. 16A

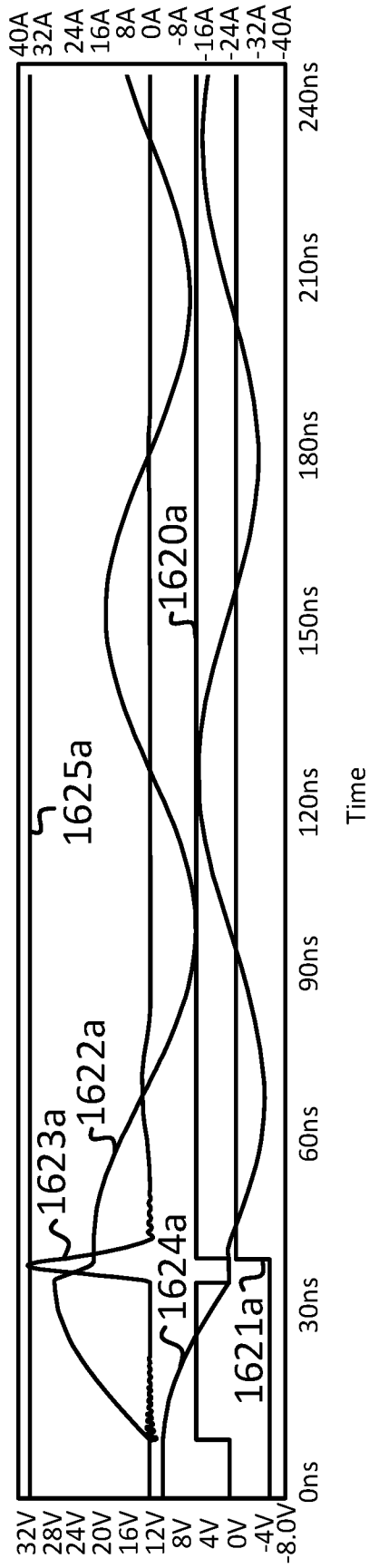


FIG. 16B

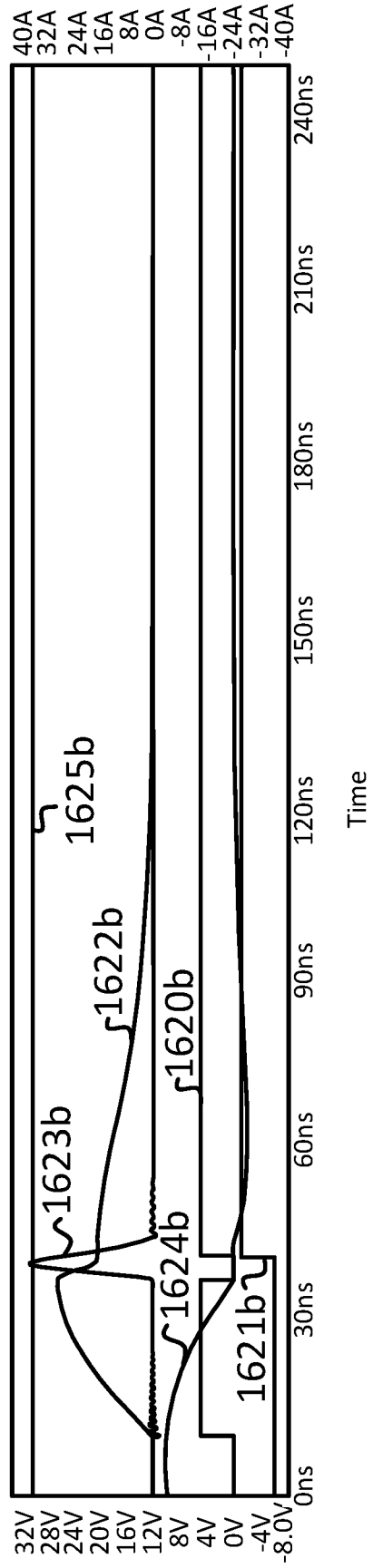


FIG. 17

1701 ↻

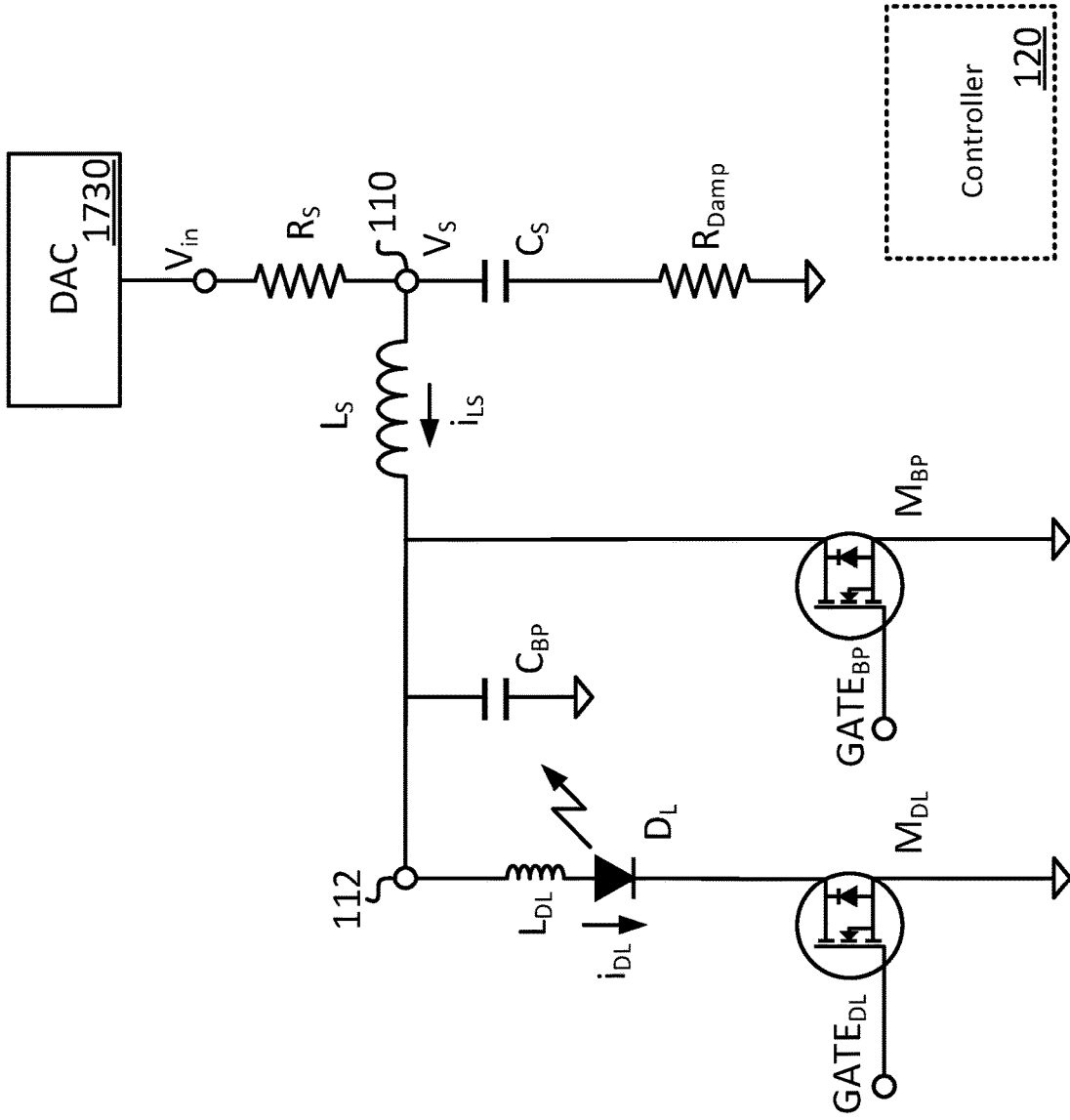


FIG. 18
1801 ↗

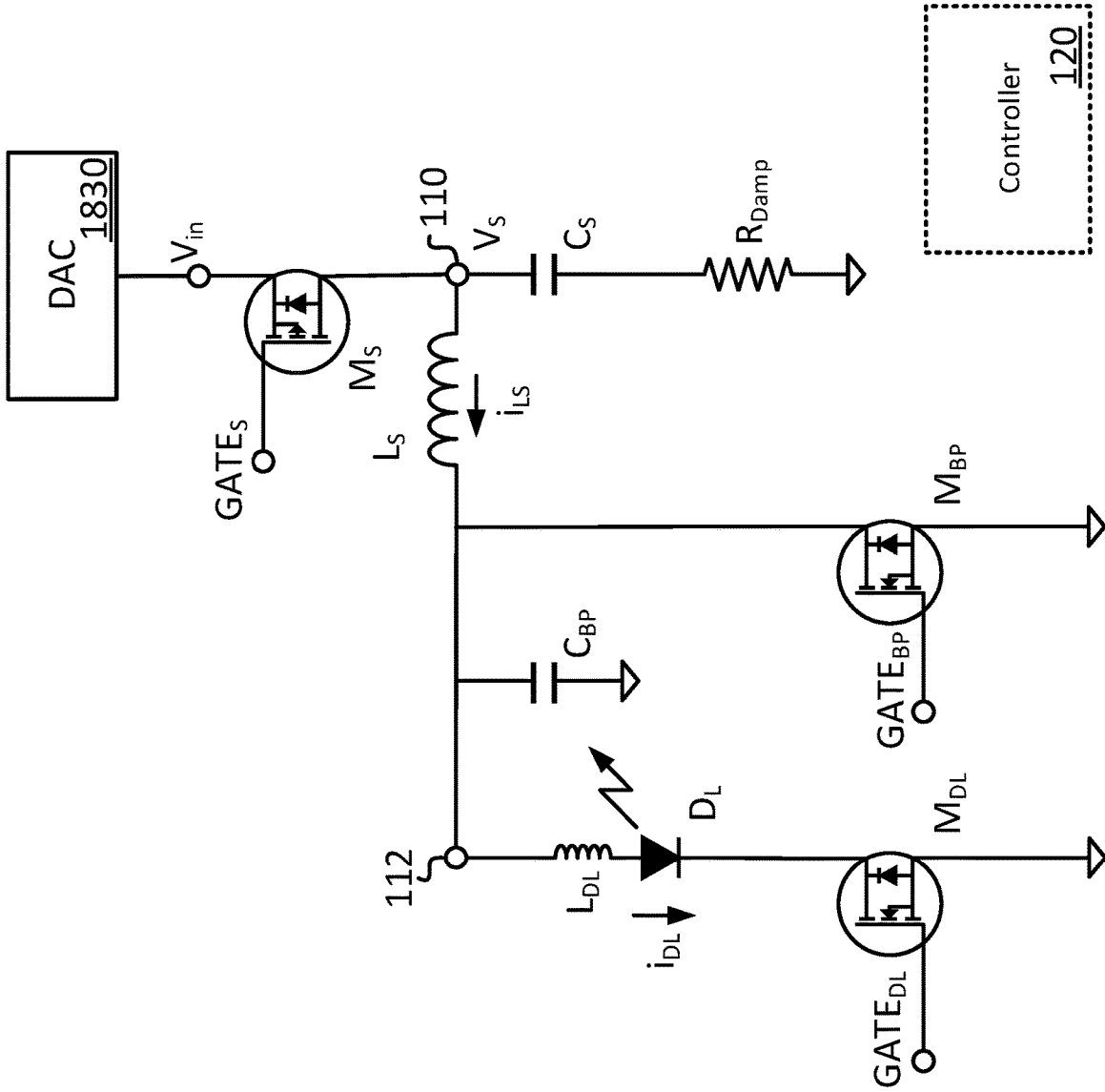
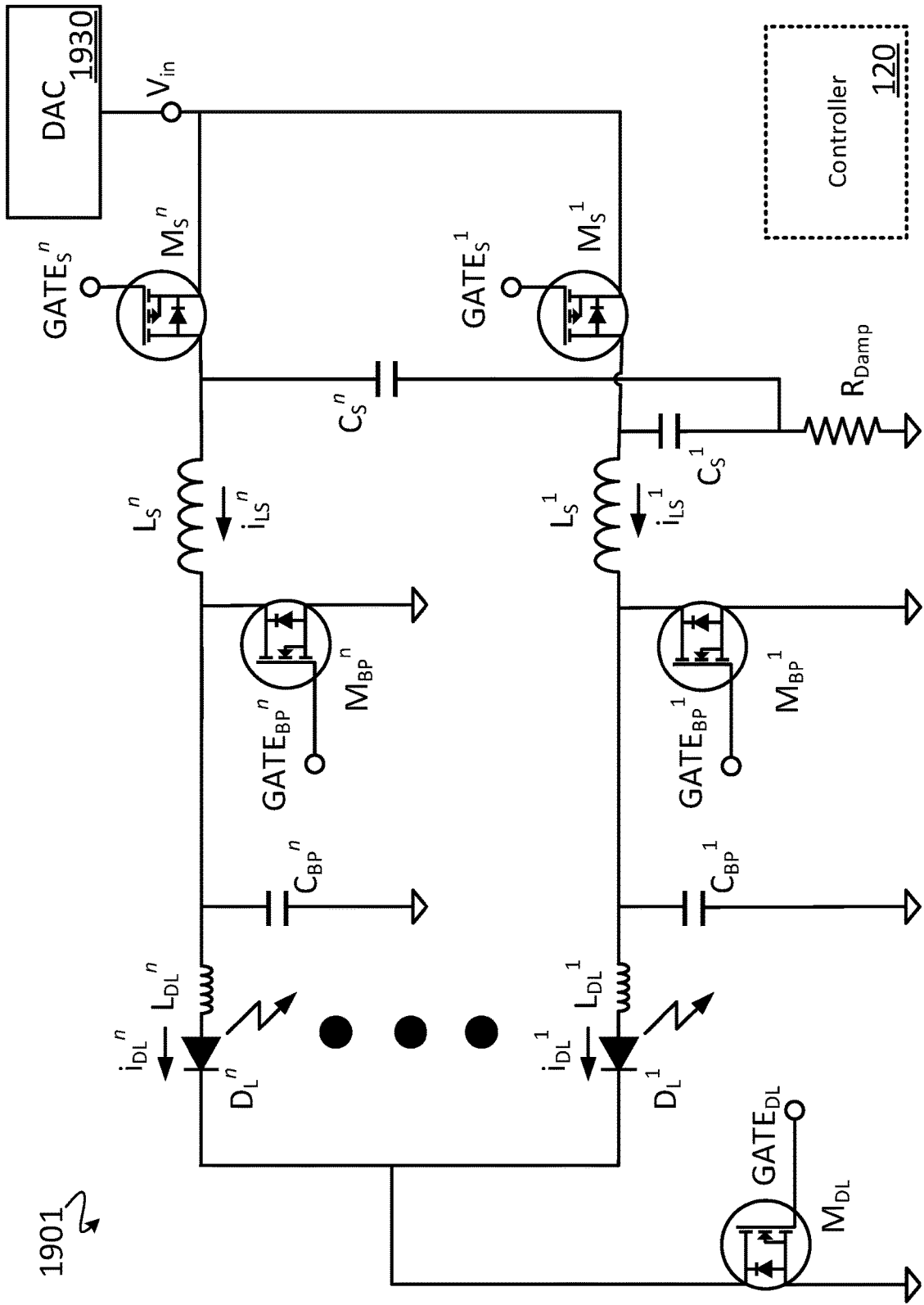


FIG. 19



1901 ↻

FIG. 20

2001

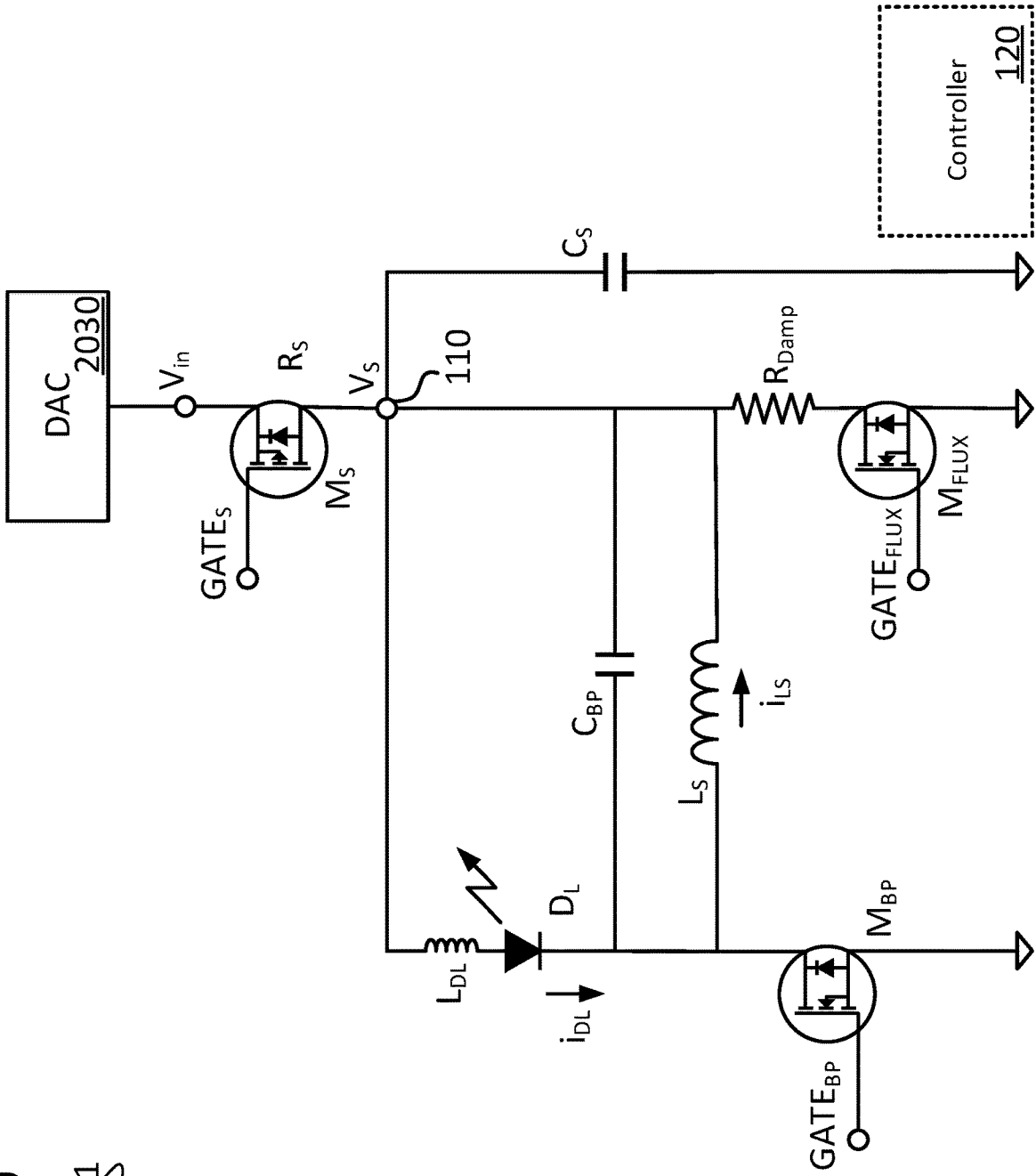


FIG. 21A

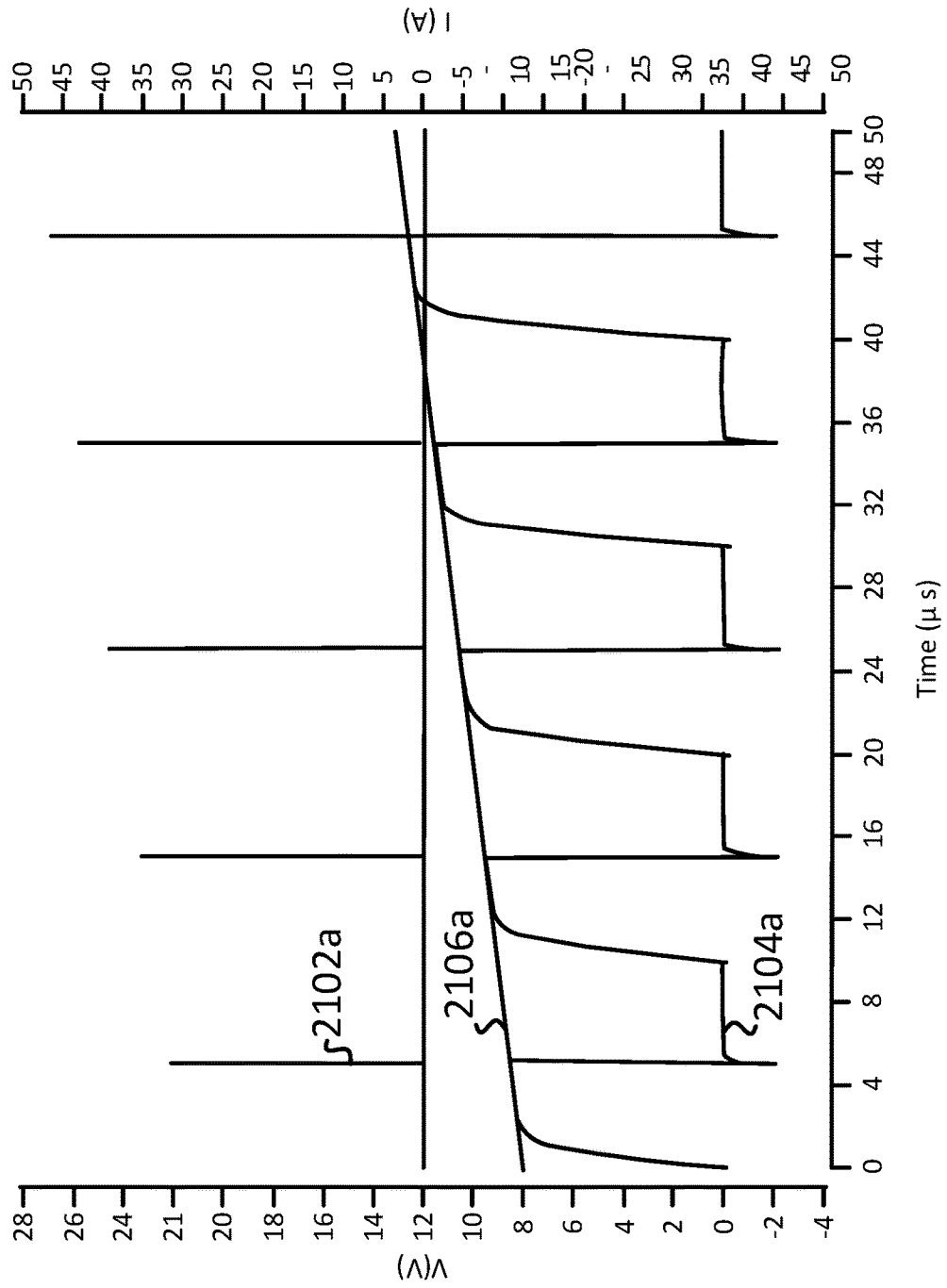
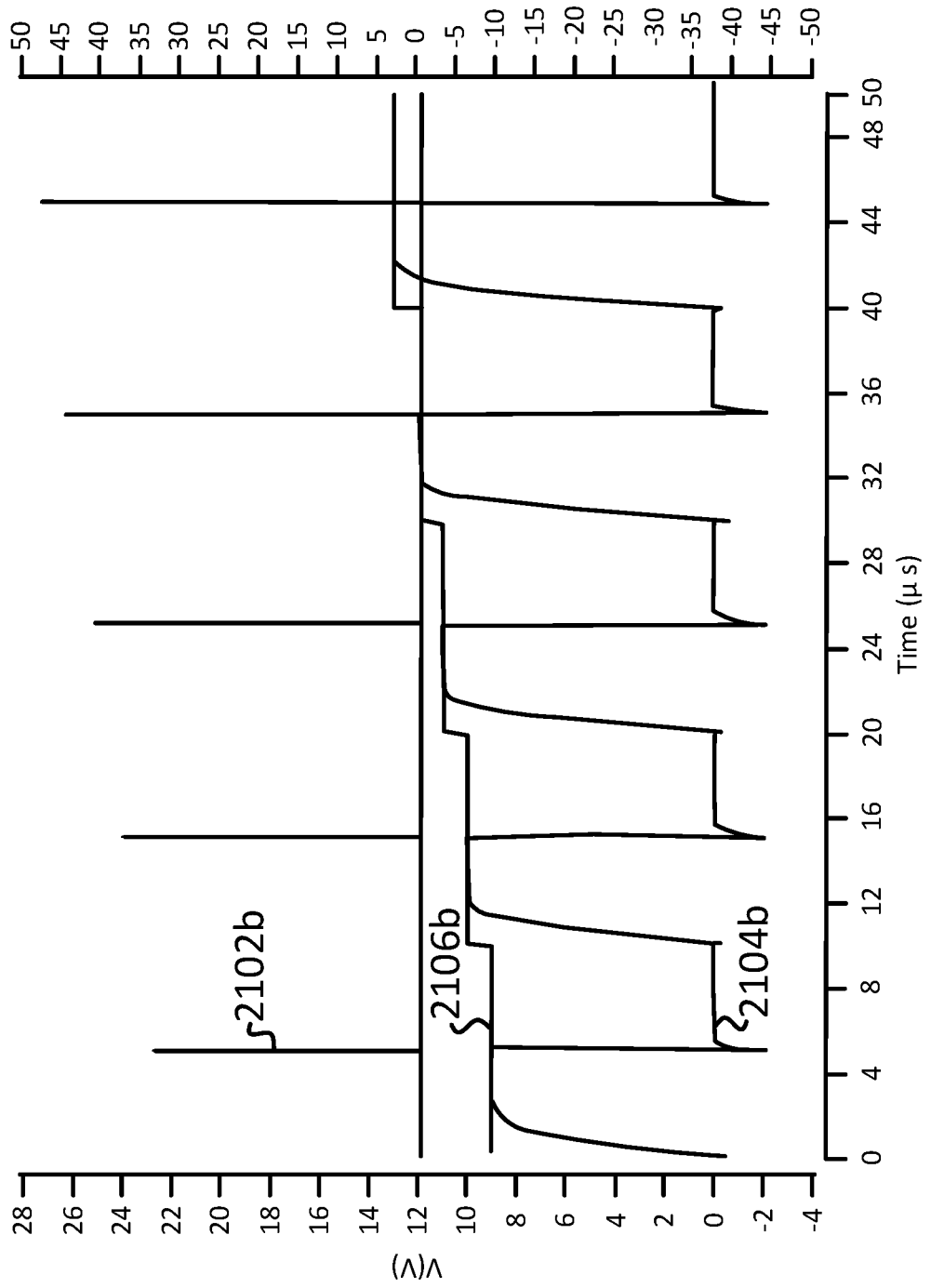


FIG. 21B



PULSED LASER DIODE DRIVER

RELATED APPLICATIONS

This application claims priority to U.S. Provisional Application No. 62/994,470, filed Mar. 25, 2020 and to U.S. Provisional Application No. 63/127,794, filed Dec. 18, 2020, all of which are incorporated by reference for all purposes.

BACKGROUND

Laser-based ranging systems, such as Lidar, often use a pulsed laser diode driver circuit to generate a short, high-current pulse, which is passed through a laser diode to emit a corresponding pulse of laser light. Reflected pulses of laser light are received by the Lidar system and used to determine a distance between the Lidar system and the point of reflection. Spatial resolution of Lidar systems is determined in part by the width of the pulse of laser light. Thus, it is usually desirable to generate a pulse of light having a width of about 5 ns or less. However, parasitic inductances of the pulsed laser diode driver circuit and the laser diode typically must be overcome to achieve the desired short pulse width. For example, many laser diodes have at least one bond wire which can contribute 1 nH of inductance, thereby limiting a slew rate of the current pulse unless there is very high voltage. Thus, some conventional pulsed laser diode driver circuits use a high source voltage, often greater than 40V-100V, to achieve the desired pulse width. Switching devices, such as GaN field-effect transistors (FET) are often used in conventional pulsed laser diode driver circuits as they can withstand such high voltages. However, pulsed laser diode driver circuits that use GaN technology may be more expensive, and/or may be more difficult to integrate with Silicon-based architectures.

SUMMARY

In some embodiments, a pulsed laser diode driver includes a first inductor having a first terminal and a second terminal. The first terminal of the first inductor is configured to receive a first source voltage, the first source voltage being based on a DC input voltage. A first source capacitor has a first terminal directly electrically connected to the first terminal of the first inductor to provide the first source voltage, and a second terminal electrically coupled to ground. A first bypass switch has a drain node that is directly electrically connected to the second terminal of the first inductor and a source node that is directly electrically connected to ground. A first bypass capacitor has a first terminal directly electrically connected to the drain node of the first bypass switch. A first laser diode has an anode and a cathode. The anode of the first laser diode is directly electrically connected to the second terminal of the first inductor and to the drain node of the first bypass switch. A first laser diode switch has a drain node that is directly electrically connected to the cathode of the first laser diode and a source node that is directly electrically connected to ground. The first laser diode switch and the first bypass switch are configured to control a current flow through the first inductor to produce a high-current pulse through the first laser diode, the high-current pulse corresponding to a peak current of a resonant waveform developed at the anode of the first laser diode.

In some embodiments, a pulsed laser diode driver includes an inductor having a first terminal and a second

terminal. The first terminal of the inductor is configured to receive a source voltage. A source capacitor has a first capacitor terminal that is directly electrically connected to the first terminal of the inductor to provide the source voltage and a second capacitor terminal electrically coupled to a bias voltage node. A source switch has a first terminal that is directly electrically connected to a DC input voltage terminal and a second terminal that is directly electrically connected to the first capacitor terminal. The source switch is operable to charge the source capacitor when the source switch is enabled. A bypass switch has a drain node that is directly electrically connected to the second terminal of the inductor and a source node that is directly electrically connected to the bias voltage node. A laser diode switch has a drain node that is directly electrically connected to the second terminal of the inductor and to the drain node of the bypass switch. A laser diode has an anode that is directly electrically connected to a source node of the laser diode switch and a cathode that is directly electrically connected to the bias voltage node. A bypass capacitor has i) a first terminal directly electrically connected to the second terminal of the inductor and a second terminal directly electrically connected to the bias voltage node, ii) a first terminal directly electrically connected to the anode of the laser diode and a second terminal directly electrically connected to the bias voltage node, iii) a first terminal directly electrically connected to the second terminal of the inductor and a second terminal directly electrically connected to the second capacitor terminal of the source capacitor, or iv) a first terminal directly electrically connected to the anode of the laser diode and a second terminal directly electrically connected to the second capacitor terminal of the source capacitor. The laser diode switch and the bypass switch are configured to control a current flow through the inductor to produce a high-current pulse through the laser diode, the high-current pulse corresponding to a peak current of a resonant waveform developed at the anode of the laser diode.

In some embodiments, a pulsed laser driver includes an inductor having a first terminal and a second terminal, the first terminal being configured to receive a source voltage. A source capacitor has a first capacitor terminal directly electrically connected to the first terminal of the inductor to provide the source voltage and a second capacitor terminal electrically coupled to a bias voltage node. A source switch has a first terminal that is directly electrically connected to a DC input voltage terminal and a second terminal that is directly electrically connected to the first capacitor terminal. The source switch is operable to charge the source capacitor when the source switch is enabled. A bypass switch has a drain node that is directly electrically connected to the second terminal of the inductor and a source node that is directly electrically connected to the bias voltage node. A laser diode has an anode and a cathode, the anode being directly electrically connected to the second terminal of the inductor and to the drain node of the bypass switch. A laser diode switch has a drain node that is directly electrically connected to the cathode of the laser diode and a source node that is directly electrically connected to the bias voltage node. A bypass capacitor has i) a first terminal directly electrically connected to the second terminal of the inductor and a second terminal directly electrically connected to the bias voltage node, ii) a first terminal directly electrically connected to the second terminal of the inductor and a second terminal directly electrically connected to the second capacitor terminal of the source capacitor, or iii) a first terminal directly electrically connected to the anode of the

laser diode and a second terminal directly electrically connected to the cathode of the laser diode. The laser diode switch and the bypass switch are configured to control a current flow through the inductor to produce a high-current pulse through the laser diode, the high-current pulse corresponding to a peak current of a resonant waveform developed at the anode of the laser diode.

In some embodiments, a pulsed laser diode driver includes multiple inductors, each inductor having a first terminal and a second terminal, the first terminal of each inductor being configured to receive a respective source voltage. The pulsed laser diode driver includes multiple source capacitors, each source capacitor corresponding to a respective inductor and having a first capacitor terminal directly electrically connected to the first terminal of that respective inductor to provide the source voltage and a second capacitor terminal electrically coupled to a bias voltage node. The pulsed laser diode driver includes multiple bypass switches, each bypass switch corresponding to a respective inductor and having a drain node that is directly electrically connected to the second terminal of that respective inductor and a source node that is directly electrically connected to the bias voltage node. The pulsed laser diode driver includes multiple laser diodes, each laser diode corresponding to a respective inductor and a respective bypass switch and having an anode and a cathode, the anode being directly electrically connected to the second terminal of that respective inductor and to the drain node of that respective bypass switch. A laser diode switch has a drain node that is directly electrically connected to the cathode of each of the laser diodes and a source node that is directly electrically connected to the bias voltage node. The pulsed laser diode driver includes multiple bypass capacitors, each bypass capacitor corresponding to a respective inductor and having a first terminal directly electrically connected to the second terminal of that respective inductor and a second terminal directly electrically connected to the bias voltage node. The laser diode switch and the multiple bypass switches are configured to control a respective current flow through each of the inductors to produce a respective high-current pulse through each of the laser diodes, each of the high-current pulses corresponding to a peak current of a resonant waveform developed at the anode of a respective laser diode.

BRIEF DESCRIPTION OF THE DRAWINGS

FIGS. 1A-1C are simplified circuit schematics of pulsed laser diode drivers of a first general topology, in accordance with some embodiments.

FIGS. 2A-2D show simplified plots of signals related to operation of the pulsed laser diode driver shown in FIG. 1A, in accordance with some embodiments.

FIG. 3 is a portion of an example switching sequence for operation of the pulsed laser diode drivers shown in FIGS. 1A-1C, in accordance with some embodiments.

FIGS. 4A-4D are simplified circuit schematics of pulsed laser diode drivers of a second general topology, in accordance with some embodiments.

FIGS. 5A-5D are simplified circuit schematics of pulsed laser diode drivers of a third general topology, in accordance with some embodiments.

FIGS. 6A-6D are simplified circuit schematics of pulsed laser diode drivers of a fourth general topology, in accordance with some embodiments.

FIGS. 7A-7E are simplified circuit schematics of pulsed laser diode drivers of a fifth general topology, in accordance with some embodiments.

FIGS. 8A-8B are simplified circuit schematics of pulsed laser diode drivers of a sixth general topology, in accordance with some embodiments.

FIGS. 9A-9B are simplified circuit schematics of pulsed laser diode drivers of a seventh general topology, in accordance with some embodiments.

FIGS. 10A-10B are simplified circuit schematics of pulsed laser diode drivers of an eighth general topology, in accordance with some embodiments.

FIGS. 11-12 show simplified plots of signals related to operation of the pulsed laser diode driver shown in FIG. 10B, in accordance with some embodiments.

FIGS. 13A-13I are simplified circuit schematics of high-repetition-rate pulsed laser diode drivers, in accordance with some embodiments.

FIG. 14 shows simplified plots of signals related to operation of the pulsed laser diode driver shown in FIG. 13I, in accordance with some embodiments.

FIG. 15 shows a simplified circuit schematic of a pulsed laser diode driver of a ninth general topology, in accordance with some embodiments.

FIGS. 16A-16B show simplified plots of signals related to operation of the pulsed laser diode driver shown in FIG. 15, in accordance with some embodiments.

FIGS. 17, 18, 19, and 20 are simplified circuit schematics of pulsed laser diode drivers having an adjustable DC input voltage, in accordance with some embodiments.

FIGS. 21A-21B are simplified plots of signals related to operation of the pulsed laser diode drivers shown in FIGS. 17, 18, 19, and 20.

DETAILED DESCRIPTION

In accordance with some embodiments, pulsed laser diode driver circuits disclosed herein (“pulsed laser diode drivers”), generate high-current (e.g., 40 Amp) ultra-short pulses (e.g., 1-5 ns) to emit a laser pulse from a laser diode using a tunable resonant circuit, as compared to conventional solutions that rely on fixed, and often unavoidable, parasitic capacitances and inductances of a circuit. The tunable resonant circuit provides easily tunable parameters which control a pulse width, a peak current, a charge time, a recovery time, a decay time, and other tunable parameters of the pulsed laser diode driver. Embodiments of a switching sequence to drive the pulsed laser diode drivers disclosed herein are operable to generate a resonant waveform at an anode of the laser diode to produce the high-current pulse through the laser diode, a voltage level of the resonant waveform being advantageously sufficient to support the high-current pulse and not of a voltage level that exceeds the voltage required to generate the high-current pulse.

Thus, embodiments of such pulsed laser diode drivers can advantageously generate the high-current pulses using a low input voltage (e.g., 6V, 9V, 15V, etc.) and can thereby use Silicon-based switches, rather than GaN-based switches which are used by many conventional solutions. Any of the pulsed laser diode drivers disclosed herein can therefore be integrated into a single semiconductor die. Embodiments of pulsed laser diode drivers disclosed herein advantageously use a discrete inductor (e.g., a through-hole or surface-mounted component) intentionally added to the pulsed laser diode driver to generate a resonant waveform rather than relying on parasitic inductances (e.g., of the laser diode, of bond wires, or inter-circuit connections) of the pulsed laser diode driver. As a result, embodiments of the laser drivers disclosed herein are easily tunable and have a reproducible architecture. By contrast, conventional pulsed laser diode

drivers often use a variety of techniques to overcome the effects of parasitic inductances of the pulsed laser diode driver and of the laser diode itself and therefore teach away from intentionally adding yet additional inductance to the pulsed laser diode driver. In addition to such intentionally added inductors, the pulsed laser diode drivers disclosed herein advantageously include a bypass capacitor that may be used by a designer to easily tune a desired pulse width emitted by the laser diode, as compared to conventional solutions which only have a source capacitor, or that only consider non-tunable parasitic capacitances of the pulsed laser diode driver. Once again, such conventional solutions teach away from adding yet additional capacitance to the pulsed laser diode driver. Because conventional solutions rely on parasitic capacitances and inductances of the conventional laser driver, modifying parameters such as a pulse width might require a redesign or re-layout of the conventional solution. By comparison, parameters, such as a pulse width, of the pulsed laser diode drivers disclosed herein can be tuned by simply changing a component value.

Multi-channel laser diodes are conventionally produced on a single monolithic substrate housed in a laser diode package. Conventionally, a single pin of the laser diode package is connected to all of the laser diode cathodes as a group (i.e., "common cathode"), whereas each laser diode anode is individually connected to a respective pin of the laser diode package. Pulsing each laser diode independently conventionally requires a switch in the laser diode anode current path to select which laser diode fires. However, an N-type switch conventionally requires a bootstrap circuit to level-shift a gate drive of that switch when the laser diode current path is enabled. Such bootstrap circuitry adds complexity and cost to a pulsed laser diode driver design. Thus, disclosed herein are embodiments of a multi-channel pulsed laser diode driver circuit for independently driving laser diodes of a common cathode multi-channel laser diode package advantageously using N-type switches without any bootstrap circuitry.

A repetition rate of a multi-channel laser diode driver, as well as of each of the pulsed laser diode drivers described herein, is limited by a charging time of each channel's source capacitor which is described below. The pulsed laser diode drivers described herein create narrow (e.g., 1-5 nsec) high-current pulses (e.g., 40 amp) through a driven laser diode. The instantaneous power in the driven laser diode is therefore high (e.g., in the order of hundreds of watts). For many applications (e.g., Lidar), the duty cycle of the pulse is generally 0.01% or less to limit a total power dissipated in the laser diode, which results in an upper limit to a repetition rate. In conventional pulsed laser diode driver applications, a resistor is used to charge source capacitors during each cycle. In such conventional solutions, an RC time constant of charging circuits is typically not an issue because the duty cycle is so low. However, for applications that require a higher repetition rate for laser pulses, the RC time constant of conventional charging circuits creates an undesirable limitation. Thus, in any of the embodiments disclosed herein, each source resistor of a given laser diode driver may be advantageously replaced by an actively controlled source switch that quickly charges an associated source capacitor.

Typical resonant driver designs require a damping resistor to minimize ringing duration. However, the added damping resistor dissipates power which lowers the overall power efficiency of the design. Thus, in some embodiments, a pulsed laser diode driver is disclosed that advantageously switches a damping resistor into the resonant circuit during

portions of a switching sequence during which the damping resistor critically damps ringing, and switches the damping resistor out of the resonant circuit during portions of the switching sequence when the damping resistor is not providing a positive benefit to the resonant circuit, thereby increasing an overall power efficiency of the pulsed laser diode driver as compared to one that includes a damping resistor for the entirety of a switching sequence.

For some applications, the amplitude of a high-current pulse delivered by a pulsed laser diode driver, such as any of those disclosed herein, may need to be adjusted in amplitude from pulse to pulse. Thus, in some embodiments, any of the pulsed laser diode drivers disclosed herein may be advantageously configured to adjust an amplitude of the high-current pulse delivered to one or more laser diodes on a pulse-to-pulse basis.

FIGS. 1A-C are simplified circuit schematics of pulsed laser diode drivers **101-103** of a first general topology to drive a laser diode using a low-side switch, in accordance with some embodiments. The pulsed laser diode drivers **101-103** each generally include a source resistor R_S , a source capacitor C_S (i.e., a physical component that is not representative of a parasitic capacitance of another component), a damping resistor R_{Damp} , an inductor L_S (i.e., a physical component that is not representative of a parasitic inductance of another component), a bypass capacitor C_{BP} (i.e., a physical component that is not representative of a parasitic capacitance of another component), a laser diode D_L , a bypass switch M_{BP} , and a laser diode switch M_{DL} . The laser diode switch M_{DL} is configured as a low-side switch. Also shown is a controller **120**, nodes **110**, **112**, a parasitic inductance L_{DL} of the laser diode D_L , a DC input voltage V_{in} , a source voltage V_S at the source capacitor C_S , a current i_{LS} through the inductor L_S , a current i_{DL} through the laser diode D_L , a bypass switch gate driver signal $GATE_{BP}$, and a laser diode switch gate driver signal $GATE_{DL}$.

Topologies of the pulsed laser diode drivers **101-103** vary with respect to the placement of the bypass capacitor C_{BP} . In each of the topologies of the pulsed laser diode drivers **101-103**, a first terminal of the source resistor R_S is configured to be directly electrically connected to the DC input voltage V_{in} . A first terminal of the source capacitor C_S is directly electrically connected to a second terminal of the source resistor R_S , and a second terminal of the source capacitor C_S is directly electrically connected to a first terminal of the damping resistor R_{Damp} . A second terminal of the damping resistor R_{Damp} is directly electrically connected to a bias voltage node such as ground. Thus, the second terminal of the source capacitor C_S is electrically coupled to the bias voltage node. A first terminal of the inductor L_S is directly electrically connected to the second terminal of the source resistor R_S and to the first terminal of the source capacitor C_S . A drain node of the bypass switch M_{BP} is directly electrically connected to a second terminal of the inductor L_S , and a source node of the bypass switch M_{BP} is directly electrically connected to the bias voltage node. An anode of the laser diode D_L is directly electrically connected to the second terminal of the inductor L_S , and a cathode of the laser diode D_L is directly electrically connected to a drain node of the laser diode switch M_{DL} . A source node of the laser diode switch M_{DL} is directly electrically connected to the bias voltage node.

The bypass switch M_{BP} is configured to receive the bypass switch gate driver signal $GATE_{BP}$ at a gate node, the bypass switch gate driver signal $GATE_{BP}$ being operable to turn the bypass switch M_{BP} on or off based on a voltage level of the bypass switch gate driver signal $GATE_{BP}$. Similarly,

the laser diode switch M_{DL} is configured to receive the laser diode switch gate driver signal $GATE_{DL}$ at a gate node, the laser diode switch gate driver signal $GATE_{DL}$ being operable to turn the laser diode switch M_{DL} on or off based on a voltage level of the laser diode switch gate driver signal $GATE_{DL}$. In some embodiments, the pulsed laser diode driver circuits disclosed herein include one or more bootstrap circuits or other level-shifting circuits to drive one or more high-side switches. Either or both of the bypass switch M_{BP} and the laser diode switch M_{DL} can be implemented as N-type switches or P-type switches. In some embodiments, the bypass switch M_{BP} and the laser diode switch M_{DL} are implemented as Silicon-based or Silicon-Carbide-based field-effect transistors (FETs). Two or more components described herein as having terminals that are directly electrically connected have a DC current path between the respective terminals of the two or more components. For example, a first and second component are not directly electrically connected via a capacitor or inductor connected in series between the first component and the second component.

As shown in the simplified circuit schematic of the pulsed laser diode driver **101** of FIG. 1A, in some embodiments a first terminal of the bypass capacitor C_{BP} is directly electrically connected to the second terminal of the inductor L_S and to the anode of the laser diode D_L . In such embodiments, a second terminal of the bypass capacitor C_{BP} is directly electrically connected to the bias voltage node. As shown in the simplified circuit schematic of the pulsed laser diode driver **102** of FIG. 1B, in some embodiments, the first terminal of the bypass capacitor C_{BP} is directly electrically connected to the second terminal of the inductor L_S and to the anode of the laser diode D_L . The second terminal of the bypass capacitor C_{BP} is directly electrically connected to the second terminal of the source capacitor C_S and to the first terminal of the damping resistor R_{Damp} . As shown in the simplified circuit schematic of the pulsed laser diode driver **103** of FIG. 1C, in some embodiments, the first terminal of the bypass capacitor C_{BP} is directly electrically connected to the second terminal of the inductor L_S and to the anode of the laser diode D_L . In such embodiments, the second terminal of the bypass capacitor C_{BP} is directly electrically connected to the drain terminal of the laser diode switch M_{DL} and to the cathode of the laser diode D_L .

In some embodiments, the pulsed laser diode drivers **101-103** are configured to receive the DC input voltage V_{in} having a voltage range from about 10V to 20V, which is advantageously lower than an input voltage used by many conventional pulsed laser diode drivers. The inductor L_S is a physical component added to the pulsed laser diode drivers **101-103** (i.e., as opposed to a representation of a parasitic inductance caused by components or interconnections such as bond wires). Similarly, the bypass capacitor C_{BP} is a physical component added to the pulsed laser diode drivers **101-103** (i.e., as opposed to a representation of a parasitic capacitance). One advantage of using physical inductor and capacitor components rather than using parasitic inductances is that values of the inductor L_S and the bypass capacitor C_{BP} can be easily modified by a designer or even an end-user. By comparison, conventional designs that rely on parasitic reactances may require re-design and/or re-layout to change an operating parameter.

As disclosed herein, values of the DC input voltage V_{in} , the inductance of the inductor L_S , the capacitance of the source capacitor C_S , the resistance of the damping resistor R_{Damp} , and the capacitance of the bypass capacitor C_{BP} can advantageously be selected ("tuned") to achieve a desired

operation of the pulsed laser diode drivers **101-103** (e.g., a charge time, a pulse width, a pulse voltage, a pulse current). For example, a pulse width of the current i_{DL} flowing through the laser diode D_L can be tuned by adjusting the capacitance value of the bypass capacitor C_{BP} . A peak current level of the pulse of current i_{DL} flowing through the laser diode D_L can be tuned by adjusting the source voltage V_S on the supply capacitor C_S . A capacitance value of the source capacitor C_S can be tuned to adjust a timing delay of the current pulse and an upper range of the current i_{DL} through the laser diode D_L . Resistance values of the damping resistor R_{Damp} are dependent on the capacitance value of the supply capacitor C_S and can be tuned within a range of values such that at a lower resistance, a lower frequency resonance of the pulsed laser diode drivers disclosed herein is underdamped (e.g., at about $R_{Damp}=0.1$ Ohm), or is critically damped (e.g., at about $R_{Damp}=0.4$ Ohm). The damping resistor R_{Damp} is operable to prevent current of the generated resonant waveform from becoming negative which could thereby enable a body diode of the bypass switch M_{BP} or the laser diode switch M_{DL} . Although a resulting maximum current level of the current i_{DL} through the laser diode D_L is lower for the critically damped case, the current level can be easily adjusted by raising the voltage level of the DC input voltage V_{in} . In other embodiments, the damping resistor R_{Damp} is removed entirely from the design (i.e., the second terminal of the source capacitor C_S is directly electrically connected to the bias voltage node). In yet other embodiments, the resistance value of the damping resistor R_{Damp} is set to zero Ohms.

In some embodiments, the DC input voltage V_{in} is about 15V, the inductance of the inductor L_S is about 6 nH, the capacitance of the source capacitor C_S is about 100 nF, the resistance of the damping resistor R_{Damp} is about 0.1 Ohms, and the capacitance of the bypass capacitor C_{BP} is about 1 nF. In some embodiments, a voltage at the first terminal of the damping resistor R_{Damp} is received by the controller **120** to provide an indication of a current flow through the damping resistor R_{Damp} .

In some or all of the embodiments disclosed herein, to produce around a 40 A high-current pulse through the laser diode (or laser diodes) D_L , the DC input voltage V_{in} may range from 10-15 volts. In some such embodiments, the inductance of inductor L_S may range from 5-10 nH, the value of which determines the amount of flux delay to produce the required current. In some such embodiments, the inductance of the inductor L_S is selected to be an order of magnitude greater than a parasitic inductance of a printed circuit board (PCB) in which the pulsed laser diode driver is implemented. In some embodiments, the resistance of the damping resistor R_S ranges from 100-200 mOhm. A capacitance of the bypass capacitor C_{BP} determines the pulse width of the high-current pulse through the laser diode(s) D_L , and in some embodiments ranges in capacitance from 1-5 nF. In some such embodiments, a capacitance of the supply capacitor C_S ranges from 25-100 nF depending on a peak current of the high-current pulse through the laser diode(s) D_L that is required or desired. The smaller the supply capacitor C_S , the higher the DC input voltage V_{in} is needed to get the required or desired peak current of the high-current pulse through the laser diode(s) D_L . In some such embodiments, a smallest capacitance value of the supply capacitor C_S that can still deliver the needed or desired peak current of the high-current pulse through the laser diode(s) D_L is selected because all the remaining energy after the high-current pulse is shunted to ground and is wasted, thereby lowering a power efficiency of the pulsed laser diode driver.

The controller **120** may be integrated with any embodiment of the pulsed laser diode drivers disclosed herein, or it may be a circuit or module that is external to any embodiment of the pulsed laser diode drivers disclosed herein. The controller **120** is operable to generate one or more gate drive signals having a voltage level that is sufficient to control one or more laser diode switches M_{DL} and one or more bypass switches M_{BP} . Additionally, the controller **120** is operable to sense a voltage and/or current at any of the nodes **110** and **112** and at nodes that are similar to, or the same as, the nodes **110** and **112** as described herein, or at still other nodes of the pulsed laser diode drivers disclosed herein. The controller **120** may include one or more timing circuits, look-up tables, processors, memory, or other modules to control the pulsed laser diode drivers disclosed herein. Operation of the pulsed laser diode drivers **101-103** is explained in detail with respect to simplified plots **201-207** of FIGS. 2A-D and an example switching sequence **300** shown in FIG. 3.

FIGS. 2A-2D show simplified plots **201-207** of signals related to operation of the pulsed laser diode driver **101** shown in FIG. 1A, in accordance with some embodiments. However, signals related to the operation of the pulsed laser diode drivers **101-103**, **401-404**, **501-504**, **601-604**, **701-705**, **801-802**, and **901-902** are similar to, or are the same as, those shown in the simplified plots **201-207**.

The simplified plot **201** illustrates a voltage plot of the bypass switch gate driver signal $GATE_{BP}$ **220**, a voltage plot of the laser diode switch gate driver signal $GATE_{DL}$ **221**, a current plot of the current i_{LS} through the inductor L_S **222**, a current plot of the current i_{DL} through the laser diode D_L **223**, and a voltage plot of the source voltage V_S **224** at the source capacitor C_S , all over the same duration of time. Details of these signals are described below. The voltage plots of the bypass switch gate driver signal $GATE_{BP}$ **220** and the laser diode switch gate driver signal $GATE_{DL}$ **221** have been level-shifted for readability, but are, in actuality, low voltage inputs. Additionally, the voltage plots of the bypass switch gate driver signal $GATE_{BP}$ **220** and the laser diode switch gate driver signal $GATE_{DL}$ **221** assume that the laser diode switch M_{DL} and the bypass switch M_{BP} are NFET devices. However, if PFET devices are used instead, the polarity of the bypass switch gate driver signal $GATE_{BP}$ **220** and the laser diode switch gate driver signal $GATE_{DL}$ **221** are inverted.

Upon receiving (e.g., from the controller **120**) an asserted level of the bypass switch gate driver signal $GATE_{BP}$ **220** at the gate node of the bypass switch M_{BP} , the bypass switch M_{BP} is enabled (i.e., transitioned to an ON-state). Similarly, upon receiving (e.g., from the controller **120**) an asserted level of the laser diode switch gate driver signal $GATE_{DL}$ **221** at the gate node of the laser diode switch M_{DL} , the laser diode switch M_{DL} is enabled. As highlighted in the plot **202**, when the bypass switch M_{BP} is enabled, the rising current i_{LS} **222** begins to flow through the inductor L_S , thereby building magnetic flux at the inductor L_S . When the current i_{LS} **222** has reached a desired level (e.g., as determined by the controller **120** using sensed current, voltage, a timer circuit, or as determined by design constraints), a de-asserted level of the bypass switch gate driver signal $GATE_{BP}$ **220** is received (e.g., from the controller **120**) at the gate node of the bypass switch M_{BP} , thereby disabling the bypass switch M_{BP} (i.e., transitioned to an OFF-state). As highlighted in the plot **203**, when the bypass switch M_{BP} is disabled, the current i_{LS} **222** which has built up through the inductor L_S , having no other current path, is redirected through the laser diode D_L , causing a short (e.g., 1 ns-5 ns), high-current (e.g., >30 A) pulse to flow through the laser diode D_L ,

thereby causing the laser diode D_L to emit a pulse of laser light. Because energy in the form of flux has been stored at the inductor L_S , the high-current pulse i_{DL} that flows through the laser diode D_L can be significantly greater than the current i_{LS} that flows through the inductor L_S . Values of the reactive components of the laser diode drivers disclosed herein can be advantageously selected to generate a desired current amplitude of the high-current pulse i_{DL} .

After emission from the laser diode D_L , the bypass switch M_{BP} is reenabled by an asserted level of the bypass switch gate driver signal $GATE_{BP}$ **220**, and the laser diode switch M_{DL} is maintained in an enabled state by an asserted level of the laser diode switch gate driver signal $GATE_{DL}$ **221**. As highlighted in the plot **204**, the bypass switch M_{BP} and the laser diode switch M_{DL} are both advantageously maintained in the enabled state as the source voltage V_S **224** stored at the source capacitor C_S is discharged. As highlighted in the plot **205**, while the bypass switch M_{BP} and the laser diode switch M_{DL} are maintained in the enabled state, the current i_{DL} **223** through the laser diode D_L (and importantly, through the parasitic inductance L_{DL} of the laser diode D_L) diminishes to zero. Thereafter, both the bypass switch M_{BP} and the laser diode switch M_{DL} are disabled by de-asserted levels (e.g., from the controller **120**) of the bypass switch gate driver signal $GATE_{BP}$ **220** and the laser diode switch gate driver signal $GATE_{DL}$ **221**. Because the laser diode switch M_{DL} is not disabled until a current through the parasitic inductance L_{DL} of the laser diode D_L has diminished to zero, a high voltage spike advantageously does not develop at the anode of the laser diode D_L as there is no rapid change in current through the parasitic inductance L_{DL} . Because such high voltage spikes are advantageously mitigated, the laser diode switch M_{DL} does not need to be selected to withstand high voltages, thereby simplifying the design and reducing the cost of the pulsed laser diode drivers disclosed herein as compared to conventional solutions. Additionally, because such high voltage spikes are mitigated, the pulsed laser diode drivers disclosed herein do not require voltage snubbing circuits that are commonly used in conventional solutions, thereby further simplifying the design and reducing the cost of the pulsed laser diode drivers disclosed herein as compared to conventional solutions.

The high-current pulse **223** is a first and largest peak of the resonant waveform developed by reactive components of the pulsed laser diode driver circuit. These reactive components include the source capacitor C_S , the inductor L_S , the parasitic inductance L_{DL} of the laser diode D_L , and the bypass capacitor C_{BP} . In addition to the advantages described above, the bypass switch M_{BP} also reduces subsequent resonant waveform “ringing” of the resonant waveform after the high-current pulse **223** is generated. As shown in the plot **206**, if a bypass switch gate driver signal $GATE_{BP}$ **220'** is not asserted after a high-current pulse i_{DL} **223'** is generated, ringing occurs on the current i_{LS} **222'** through the inductor L_S , on the current i_{DL} **223'** through the laser diode D_L , and on the source voltage V_S **224'** at the source capacitor C_S . As shown, the high-current pulse **223** through the laser diode D_L corresponds to a peak (e.g., maximum, or local maximum, amplitude) current of a resonant waveform of current i_{DL} **223'** developed at the anode of the laser diode D_L .

As previously described, values of the source capacitor C_S , the inductor L_S and the bypass capacitor C_{BP} may be advantageously selected or “tuned” by a designer to meet desired performance criteria of the pulsed laser diode driver disclosed herein. For example, a capacitance value of the bypass capacitor C_{BP} may be selected based on a desired pulse width of the current i_{DL} through the laser diode D_L .

11

The plot **207** shows the pulse **223** generated when the capacitance of the bypass capacitor C_{BP} is equal to 1 nF, and a pulse **223''** generated when the capacitance of the bypass capacitor C_{BP} is equal to 4 nF. In use cases where a wider pulse, such as the pulse **223''**, is desired, the source voltage V_S may be raised accordingly. Additionally, in some embodiments, the width of the de-asserted portion of the bypass switch gate driver signal $GATE_{BP}$ **220** is widened to accommodate a wider pulse.

FIG. **3** illustrates a portion of an example switching sequence **300** for operation of the pulsed laser diode drivers **101-103** shown in FIGS. 1A-B, in accordance with some embodiments, and as was described with reference to FIGS. 2A-C. However, the switching sequence **300** is similar to, or the same as, respective switching sequences related to the operation of other embodiments of the pulsed laser diode drivers disclosed herein, including but not limited to the pulsed laser diode drivers **401-404**, **501-504**, **601-604**, **701-705**, **801-802**, and **901-902**.

At a precharge step **301**, the bypass switch M_{BP} and the laser diode switch M_{DL} are off (i.e., not conducting). During the precharge step **301**, the source capacitor C_S is charged through the source resistor R_S . At a preflux step **302**, the bypass switch M_{BP} and the laser diode switch M_{DL} are transitioned to an ON-state, thereby allowing the current i_{LS} to flow through the inductor L_S to store energy in the form of magnetic flux at the inductor L_S . Even though both of the switches (M_{DL} , M_{BP}) are in an ON-state at the preflux step **302**, the bypass path through the bypass switch M_{BP} will carry all of the current i_{LS} because a bandgap voltage of the laser diode D_L needs to be overcome to allow current to flow through the laser diode D_L .

In some embodiments, the laser diode switch M_{DL} is transitioned to an ON-state after the bypass switch M_{BP} is transitioned to an ON-state. At a pulse generation step **303**, the bypass switch M_{BP} is transitioned to an OFF-state while the laser diode switch M_{DL} is maintained in an ON-state, thereby generating the high-current pulse through the laser diode D_L . When the bypass switch M_{BP} is transitioned to the OFF-state, voltage at the anode of the laser diode D_L rises quickly, until the bandgap voltage of the laser diode D_L is overcome and the laser diode D_L begins to conduct current. Because of a resonant circuit formed by the bypass capacitor C_{BP} and the parasitic inductance L_{DL} of the laser diode D_L , the voltage formed at the anode of the laser diode D_L will advantageously rise as high as necessary to overcome the bandgap voltage of the laser diode D_L and will generally be higher than the source voltage V_S .

At a discharge step **304**, the bypass switch M_{BP} and the laser diode switch M_{DL} are maintained in an ON-state to drain charge stored at the source capacitor C_S , thereby reducing the current i_{DL} through the parasitic inductance L_{DL} to advantageously eliminate a high voltage spike at the anode of the laser diode D_L when the laser diode switch M_{DL} is transitioned to an OFF-state. At step **305**, the bypass switch M_{BP} and the laser diode switch M_{DL} are transitioned to an OFF-state, thereby returning to the precharge state at step **301**. Because the source voltage V_S at the source capacitor C_S is completely discharged at the end of the discharge step **304**, there is very little current through the laser diode D_L . Thus, there is advantageously very little overshoot when the switches M_{DL} , M_{BP} are transitioned to the OFF-state at step **305**, thereby preventing damage to the laser diode D_L and the switches M_{DL} , M_{BP} . The time interval of the overall pulse and bypass signals is selected, in some

12

embodiments, such that the source capacitor C_S is fully discharged before the switches M_{DL} , M_{BP} are transitioned to the OFF-state at step **305**.

Other topologies of pulsed laser drivers, having the same or similar advantages and having similar operation as that of the pulsed laser diode drivers **101-103**, are disclosed below. The example topologies disclosed herein are not an exhaustive list of possible topologies that have the same or similar advantages and similar operation as that of the pulsed laser diode drivers **101-103**. For example, one of skill in the art will appreciate that some modifications can be made while still adhering to the general principle of operation disclosed herein. Such modifications include placement of the bypass capacitor C_{BP} , component values, and the addition of serially connected components that provide a DC current path.

FIGS. 4A-D are simplified circuit schematics of pulsed laser diode drivers **401-404** of a second general topology that is configured to drive two or more laser diodes in a common anode arrangement, in accordance with some embodiments. The pulsed laser diode drivers **401-404** each generally include the source resistor R_S , the source capacitor C_S , the damping resistor R_{Damp} , the inductor L_S , the bypass capacitor C_{BP} , two or more laser diodes D_L^1 - D_L^n , and the bypass switch M_{BP} . The pulsed laser diode drivers **401-402** each include two or more laser diode switches M_{DL}^1 - M_{DL}^n , whereas the pulsed laser diode drivers **403-404** include a single laser diode switch M_{DL}^1 .

Also shown is the controller **120**, nodes **410**, **412**, respective parasitic inductances L_{DL}^1 - L_{DL}^n of the laser diodes D_L^1 - D_L^n , the DC input voltage V_{in} , the source voltage V_S at the source capacitor C_S , the current i_{LS} through the inductor L_S , respective currents i_{DL}^1 - i_{DL}^n through the laser diodes D_L^1 - D_L^n , and the bypass switch gate driver signal $GATE_{BP}$. The pulsed laser diode drivers **401-402** each utilize respective laser diode switch gate driver signals $GATE_{DL}^1$ - $GATE_{DL}^n$, whereas the pulsed laser diode drivers **403-404** use a single laser diode switch gate driver signal $GATE_{DL}^1$. Electrical connections of the pulsed laser diode drivers **401-404** are similar to, or the same as, those described with respect to the pulsed laser diode drivers **101-103**. Topologies of the pulsed laser diode drivers **401-404** vary with respect to the placement of the bypass capacitor C_{BP} .

As shown in the simplified circuit schematics of the pulsed laser diode driver **401** of FIG. 4A and the pulsed laser diode driver **404** of FIG. 4D, in some embodiments the first terminal of the bypass capacitor C_{BP} is directly electrically connected to the second terminal of the inductor L_S and to the anodes of the laser diodes D_L^1 - D_L^n . In such embodiments, the second terminal of the bypass capacitor C_{BP} is directly electrically connected to the bias voltage node. As shown in the simplified circuit schematic of the pulsed laser diode drivers **402-403** of FIGS. 4B-C, in some embodiments the first terminal of the bypass capacitor C_{BP} is directly electrically connected to the second terminal of the inductor L_S and to the respective anodes of the laser diodes D_L^1 - D_L^n . In such embodiments, the second terminal of the bypass capacitor C_{BP} is directly electrically connected to the second terminal of the source capacitor C_S and to the first terminal of the damping resistor R_{Damp} . In some embodiments, values of the DC input voltage V_{in} , inductance of the inductor L_S , capacitance of the source capacitor C_S , resistance of the damping resistor R_{Damp} , and capacitance of the bypass capacitor C_{BP} are similar to, or the same as, those respective values as described with reference to the pulsed laser diode drivers **101-103**. However, the values of the DC input voltage V_{in} , inductance of the inductor L_S , capacitance

of the source capacitor C_S , resistance of the damping resistor R_{Damp} , and capacitance of the bypass capacitor C_{BP} can advantageously be selected to achieve desired operation of the pulsed laser diode drivers **401-404** (e.g., a charge time, a pulse width, a pulse voltage, a pulse current level). Operation of the pulsed laser diode drivers **401-404** is similar to, or the same as, operation of the pulsed laser diode drivers **101-103** as explained in detail with respect to the simplified plots **201-206** of FIGS. 2A-D, as well as the example switching sequence **300** shown in FIG. 3.

In some embodiments, the controller **120** is configured to determine how many of the laser diodes D_L^1 - D_L^n are enabled simultaneously and to adjust a voltage level of the DC input voltage V_{in} in accordance with that determination to supply a required amount of current (e.g., using a digitally adjustable voltage source (described below) controlled by a digital control signal from the controller **120**).

FIGS. 5A-D are simplified circuit schematics of pulsed laser diode drivers **501-504** of a third general topology that is configured to drive a laser diode using a high-side switch, in accordance with some embodiments. The pulsed laser diode drivers **501-504** each generally include the source resistor R_S , the source capacitor C_S , the damping resistor R_{Damp} , the inductor L_S , the bypass capacitor C_{BP} , the laser diode D_L , the bypass switch M_{BP} , and the laser diode switch M_{DL} . The laser diode switch M_{DL} is configured as a high-side switch.

Also shown is the controller **120**, nodes **510**, **512**, the parasitic inductance L_{DL} of the laser diode D_L , the DC input voltage V_{in} , the source voltage V_S at the source capacitor C_S , the current i_{L_S} through the inductor L_S , the current i_{DL} through the laser diode D_L , the bypass switch gate driver signal $GATE_{BP}$, and the laser diode switch gate driver signal $GATE_{DL}$. Most of the electrical connections of the pulsed laser diode drivers **501-504** are similar to, or the same as, those described with respect to the pulsed laser diode drivers **101-103**. However, in contrast to the low-side configuration of the pulsed laser diode drivers **101-103**, the drain node of the laser diode switch M_{DL} is directly electrically connected to the second terminal of the inductor L_S and to the drain node of the bypass switch M_{BP} . The source node of the laser diode switch M_{DL} is directly electrically connected to the anode of the laser diode D_L , and the cathode of the laser diode D_L is directly electrically connected to the bias voltage node. Topologies of the pulsed laser diode drivers **501-504** vary with respect to placement of the bypass capacitor C_{BP} .

As shown in the simplified circuit schematic of the pulsed laser diode driver **501** of FIG. 5A, in some embodiments the first terminal of the bypass capacitor C_{BP} is directly electrically connected to the second terminal of the inductor L_S and to the drain node of the laser diode switch M_{DL} . In such embodiments, the second terminal of the bypass capacitor C_{BP} is directly electrically connected to the bias voltage node. As shown in the simplified circuit schematic of the pulsed laser diode driver **502** of FIG. 5B, in some embodiments the first terminal of the bypass capacitor C_{BP} is directly electrically connected to the source node of the laser diode switch M_{DL} and to the anode of the laser diode D_L . In such embodiments, the second terminal of the bypass capacitor C_{BP} is directly electrically connected to the bias voltage node. As shown in the simplified circuit schematic of the pulsed laser diode driver **503** of FIG. 5C, in some embodiments the first terminal of the bypass capacitor C_{BP} is directly electrically connected to the second terminal of the inductor L_S , to the drain node of the bypass switch M_{BP} , and to the drain node of the laser diode switch M_{DL} . In such embodiments, the second terminal of the bypass capacitor

C_{BP} is directly electrically connected to the second terminal of the source capacitor C_S and to the first terminal of the damping resistor R_{Damp} . As shown in the simplified circuit schematic of the pulsed laser diode driver **504** of FIG. 5D, in some embodiments the first terminal of the bypass capacitor C_{BP} is directly electrically connected to the source node of the laser diode switch M_{DL} and the anode of the laser diode D_L . In such embodiments, the second terminal of the bypass capacitor C_{BP} is directly electrically connected to the second terminal of the source capacitor C_S and to the first terminal of the damping resistor R_{Damp} .

FIGS. 6A-D are simplified circuit schematics of pulsed laser diode drivers **601-604** of a fourth general topology that is configured to drive two or more laser diodes in a common cathode configuration using a high-side switch, in accordance with some embodiments. The pulsed laser diode drivers **601-604** each generally include the source resistor R_S , the source capacitor C_S , the damping resistor R_{Damp} , the inductor L_S , the bypass capacitor C_{BP} , the bypass switch M_{BP} , two or more laser diodes D_L^1 - D_L^n , and two or more respective laser diode switches M_{DL}^1 - M_{DL}^n .

Also shown is the controller **120**, nodes **610**, **612**, **614**, respective parasitic inductances L_{DL}^1 - L_{DL}^n of the laser diodes D_L^1 - D_L^n , the DC input voltage V_{in} , the source voltage V_S at the source capacitor C_S , the current i_{L_S} through the inductor L_S , respective currents i_{DL}^1 - i_{DL}^n through the laser diodes D_L^1 - D_L^n , the bypass switch gate driver signal $GATE_{BP}$, and respective laser diode switch gate driver signals $GATE_{DL}^1$ - $GATE_{DL}^n$ of the laser diode switches M_{DL}^1 - M_{DL}^n .

Most of the electrical connections of the pulsed laser diode drivers **601-604** are similar to, or are the same as, those described with respect to the pulsed laser diode drivers **501-504**. However, topologies of the pulsed laser diode drivers **601-604** vary from one another with respect to placement of the bypass capacitor C_{BP} .

As shown in the simplified circuit schematic of the pulsed laser diode driver **601** of FIG. 6A, in some embodiments the first terminal of the bypass capacitor C_{BP} is directly electrically connected to the second terminal of the inductor L_S and to respective drain nodes of the laser diode switches M_{DL}^1 - M_{DL}^n and the bypass switch M_{BP} . In such embodiments, the second terminal of the bypass capacitor C_{BP} is directly electrically connected to the bias voltage node. As shown in the simplified circuit schematic of the pulsed laser diode driver **602** of FIG. 6B, in some embodiments the first terminal of the bypass capacitor C_{BP} is directly electrically connected to the source node of any of the laser diode switches (M_{DL}^n is shown) and to the anode of the laser diode coupled to that laser diode switch (D_L^n is shown). In such embodiments, the second terminal of the bypass capacitor C_{BP} is directly electrically connected to the bias voltage node. In some embodiments, multiple bypass capacitors C_{BP} are used, each of the bypass capacitors being connected across a respective laser diode. As shown in the simplified circuit schematic of the pulsed laser diode driver **603** of FIG. 6C, in some embodiments the first terminal of the bypass capacitor C_{BP} is directly electrically connected to the second terminal of the inductor L_S and to respective drain nodes of the laser diode switches M_{DL}^1 - M_{DL}^n and the bypass switch M_{BP} . In such embodiments, the second terminal of the bypass capacitor C_{BP} is directly electrically connected to the second terminal of the source capacitor C_S and to the first terminal of the damping resistor R_{Damp} . As shown in the simplified circuit schematic of the pulsed laser diode driver **604** of FIG. 6D, in some embodiments the first terminal of the bypass capacitor C_{BP} is directly electrically connected to

the source node of any of the laser diode switches (M_{DL}^1 is shown) and to the anode of the laser diode coupled to that laser diode switch (D_L^1 is shown). In such embodiments, the second terminal of the bypass capacitor C_{BP} is directly electrically connected to the second terminal of the source capacitor C_S and to the first terminal of the damping resistor R_{Damp} . In some embodiments, multiple bypass capacitors C_{BP} are used, each of the bypass capacitors C_{BP} having a first terminal that is directly electrically connected to a respective anode of each laser diode and a second terminal that is directly electrically connected to the second terminal of the source capacitor C_S and to the first terminal of the damping resistor R_S .

In some embodiments, the controller **120** is operable to determine how many of the laser diodes D_L^1 - D_L^n are enabled simultaneously and to adjust a voltage level of the DC input voltage V_{in} in accordance with that determination to supply a required amount of current (e.g., using a digitally adjustable voltage source (described below) controlled by a digital control signal from the controller **120**).

FIGS. 7A-E are simplified circuit schematics of pulsed laser diode drivers **701-705** of a fifth general topology that is configured to drive a laser diode using a half-bridge configuration, in accordance with some embodiments. The pulsed laser diode drivers **701-704** each generally include the source resistor R_S , the source capacitor C_S , the damping resistor R_{Damp} , the inductor L_S , the bypass capacitor C_{BP} , the bypass switch M_{BP} , the laser diode D_L , and the laser diode switch M_{DL} . The pulsed laser diode driver **705** additionally includes two or more laser diodes D_L^1 - D_L^n , rather than the single laser diode D_L , each of the two or more laser diodes D_L^1 - D_L^n having a respective parasitic inductance L_{DL}^1 - L_{DL}^n , and respective current representation i_{DL}^1 - i_{DL}^n . However, the pulsed laser diode driver **705** lacks independent control of the two or more laser diodes D_L^1 - D_L^n .

Also shown is the controller **120**, nodes **710**, **712**, the parasitic inductance L_{DL} of the laser diode D_L , the DC input voltage V_{in} , the source voltage V_S at the source capacitor C_S , the current i_{LS} through the inductor L_S , the current i_{DL} through the laser diode D_L , the currents i_{DL}^1 - i_{DL}^n through the two or more laser diodes D_L^1 - D_L^n , the bypass switch gate driver signal $GATE_{BP}$, and the laser diode switch gate driver signal $GATE_{DL}$ of the laser diode switch M_{DL} .

Most of the electrical connections of the pulsed laser diode drivers **701-704** are similar to, or the same as those described with respect to the pulsed laser diode drivers **501-503**. However, in contrast to the high-side configuration of the pulsed laser diode drivers **501-503**, the drain node of the bypass switch M_{BP} is directly electrically connected to the source node of the laser diode switch M_{DL} and to the anode of the laser diode D_L . The source node of the bypass switch M_{BP} is directly electrically connected to the bias voltage node. Thus, as shown in the simplified circuit schematics of the pulsed laser diode drivers **701-704**, the laser diode D_L may be driven by the half-bridge configuration of the bypass switch M_{BP} and the laser diode switch M_{DL} . Topologies of the pulsed laser diode drivers **701-704** vary with respect to placement of the bypass capacitor C_{BP} .

As shown in the simplified circuit schematic of the pulsed laser diode driver **701** of FIG. 7A, in some embodiments the first terminal of the bypass capacitor C_{BP} is directly electrically connected to the second terminal of the inductor L_S and to the drain node of the laser diode switch M_{DL} . In such embodiments, the second terminal of the bypass capacitor C_{BP} is electrically connected to the bias voltage node. As shown in the simplified circuit schematic of the pulsed laser diode driver **702** of FIG. 7B, in some embodiments the first

terminal of the bypass capacitor C_{BP} is directly electrically connected to the source node of the laser diode switch M_{DL} , to the drain node of the bypass switch M_{BP} , and to the anode of the laser diode D_L . In such embodiments, the second terminal of the bypass capacitor C_{BP} is directly electrically connected to the bias voltage node. As shown in the simplified circuit schematic of the pulsed laser diode driver **703** of FIG. 7C, in some embodiments the first terminal of the bypass capacitor C_{BP} is directly electrically connected to the second terminal of the inductor L_S and to the drain node of the laser diode switch M_{DL} . In such embodiments, the second terminal of the bypass capacitor C_{BP} is directly electrically connected to the second terminal of the source capacitor C_S and to the first terminal of the damping resistor R_{Damp} . As shown in the simplified circuit schematic of the pulsed laser diode driver **704** of FIG. 7D, in some embodiments the first terminal of the bypass capacitor C_{BP} is directly electrically connected to the source node of the laser diode switch M_{DL} , the drain node of the bypass switch M_{BP} , and the anode of the laser diode D_L . In such embodiments, the second terminal of the bypass capacitor C_{BP} is directly electrically connected to the second terminal of the source capacitor C_S and to the first terminal of the damping resistor R_{Damp} .

As shown in the simplified circuit schematic of the pulsed laser diode driver **705** of FIG. 7E, two or more laser diodes D_L^1 - D_L^n may be driven simultaneously by the half-bridge configuration of the bypass switch M_{BP} and the laser diode switch M_{DL} . In the example shown, the first terminal of the bypass capacitor C_{BP} is directly electrically connected to the second terminal of the inductor L_S and the second terminal of the bypass capacitor C_{BP} is directly electrically connected to the second terminal of the source capacitor C_S and to the first terminal of the damping resistor R_{Damp} . However, other configurations of the bypass capacitor C_{BP} , such as those described with reference to FIGS. 7A-D may be used.

FIGS. 8A-B are simplified circuit schematics of pulsed laser diode drivers **801-802** of a sixth general topology that is configured to drive a laser diode using a high-side switch, in accordance with some embodiments. The pulsed laser diode drivers **801-802** generally include the source resistor R_S , the source capacitor C_S , the damping resistor R_{Damp} , the inductor L_S , the bypass capacitor C_{BP} , the laser diode D_L , the bypass switch M_{BP} , and the laser diode switch M_{DL} . Also shown is the controller **120**, nodes **810**, **812**, the respective parasitic inductances L_{DL} of the laser diode D_L , the DC input voltage V_{in} , the source voltage V_S at the source capacitor C_S , the current i_{LS} through the inductor L_S , the current i_{DL} through the laser diodes D_L , the bypass switch gate driver signal $GATE_{BP}$, and the laser diode switch gate driver signal $GATE_{DL}$. Electrical connections of the pulsed laser diode driver **801** are similar to, or the same as those described with respect to the pulsed laser diode driver **101**. The pulsed laser diode drivers **801-802** differ in that the drain node of the laser diode switch M_{DL} is directly electrically connected to the second terminal of the source resistor R_S and to the first terminal of the source capacitor C_S . The source node of the laser diode switch M_{DL} is directly electrically connected to the first terminal of the inductor L_S . The anode of the laser diode D_L is directly electrically connected to the second terminal of the inductor L_S and the cathode of the laser diode D_L is directly electrically connected to the bias voltage node. As shown, the pulsed laser diode drivers **801-802** are advantageously configured such that the laser diode switch M_{DL} is electrically connected between the inductor L_S and the source capacitor C_S . As a result, the drain node of the laser diode switch M_{DL} does not receive a high voltage spike

developed at the second terminal of the inductor L_S when the bypass switch M_{BP} is disabled to generate the high-current pulse through the laser diode D_L .

The pulsed laser diode drivers **801-802** differ in placement of the bypass capacitor C_{BP} . As shown in FIG. **8A**, in some embodiments, the first terminal of the bypass capacitor C_{BP} is directly electrically connected to the second terminal of the inductor L_S , to the anode of the laser diode D_L , and to the drain node of the bypass switch M_{BP} . In such embodiments, the second terminal of the bypass capacitor C_{BP} is directly electrically connected to the bias voltage node. As shown in FIG. **8B**, in some embodiments, the first terminal of the bypass capacitor C_{BP} is directly electrically connected to the second terminal of the inductor L_S , to the anode of the laser diode D_L , and to the drain node of the bypass switch M_{BP} . In such embodiments, the second terminal of the bypass capacitor C_{BP} is directly electrically connected to the second terminal of the source capacitor C_S and to the first terminal of the damping resistor R_{Damp} .

In other embodiments, the respective positions of the inductor L_S and the laser diode switch M_{DL} in either of the pulsed laser diode drivers **801-802**, can be exchanged such that the first terminal of the inductor L_S is directly electrically connected to the first terminal of the source capacitor C_S , and the drain terminal of the laser diode switch M_{DL} is directly electrically connected to the second terminal of the inductor L_S .

FIGS. **9A-B** are simplified circuit schematics of pulsed laser diode drivers **901-902** of a seventh general topology that is configured to drive a laser diode using only a bypass switch, in accordance with some embodiments. The pulsed laser diode drivers **901-902** generally include the source resistor R_S , the source capacitor C_S , the damping resistor R_{Damp} , the inductor L_S , the bypass capacitor C_{BP} , the laser diode D_L , and the bypass switch M_{BP} . Also shown are nodes **910**, **912**, the respective parasitic inductances L_{DL} of the laser diode D_L , the DC input voltage V_{in} , the source voltage V_S at the source capacitor C_S , the current i_{L_S} through the inductor L_S , the current i_{DL} through the laser diodes D_L , and the bypass switch gate driver signal $GATE_{BP}$. Electrical connections of the pulsed laser diode drivers **901-902** are similar to, or the same as, those described with respect to the pulsed laser diode driver **101**. The pulsed laser diode drivers **901-902** differ in that the laser diode switch M_{DL} is eliminated. The anode of the laser diode D_L is directly electrically connected to the second terminal of the inductor L_S and the cathode of the laser diode D_L is directly electrically connected to the bias voltage node. In such embodiments, the voltage level of the DC input voltage V_{in} is restricted to a voltage level that does not surpass the forward bias voltage of the laser diode D_L , thereby maintaining the laser diode D_L in an OFF-state (i.e., not conducting) until a voltage higher than the forward bias voltage is developed at the second terminal of the inductor L_S when current flow through the bypass switch is momentarily disabled.

The pulsed laser diode drivers **901-902** differ in placement of the bypass capacitor C_{BP} . As shown in FIG. **9A**, in some embodiments, the first terminal of the bypass capacitor C_{BP} is directly electrically connected to the second terminal of the inductor L_S , to the anode of the laser diode D_L , and to the drain node of the bypass switch M_{BP} . In such embodiments, the second terminal of the bypass capacitor C_{BP} is directly electrically connected to the bias voltage node. As shown in FIG. **9B**, in some embodiments, the first terminal of the bypass capacitor C_{BP} is directly electrically connected to the second terminal of the inductor L_S , to the anode of the laser diode D_L , and to the drain node of the

bypass switch M_{BP} . In such embodiments, the second terminal of the bypass capacitor C_{BP} is directly electrically connected to the second terminal of the source capacitor C_S and to the first terminal of the damping resistor R_{Damp} .

Embodiments of the pulsed laser diode drivers disclosed herein are additionally or alternatively operable to provide current pulses to devices other than laser diodes. For instance, embodiments of the pulsed laser diode drivers disclosed herein are operable to provide a current pulse to a light-emitting diode (i.e., a non-laser LED). Additionally, embodiments of the pulsed laser diode drivers disclosed herein are operable to provide a current pulse to another circuit or device, having no laser diode, that is configured to receive a current pulse for a purpose other than emitting light.

In some embodiments, two or more instances of the laser diode drivers disclosed herein are configured to drive respective laser diodes. For example, four instances of the pulsed laser diode driver **802** may be used to drive a laser diode package that includes four laser diodes. In such an embodiment, each of the laser diodes in the laser diode package is driven by an instance of the pulsed laser diode driver **802**.

FIGS. **10A-10B** are simplified circuit schematics of pulsed laser diode drivers **1002/1004** of an eighth general topology that is configured for multi-channel, individual control of multiple laser diodes, in accordance with some embodiments. The multi-channel pulsed laser diode driver **1002** shown in FIG. **10A** is configured to independently drive n laser diodes where n is a number ranging from two to 128 or more. The multi-channel pulsed laser diode driver **1002** is operable to cause a pulse to be emitted from any individual laser diode of the multi-channel pulsed laser diode driver **1002** in isolation, or combined with one or more other pulses emitted from other laser diodes of the multi-channel pulsed laser diode driver **1002**. The multi-channel pulsed laser diode driver **1002** generally includes n source resistors R_S^1 through R_S^n , n source capacitors C_S^1 through C_S^n , an optional damping resistor R_{Damp} , n inductors L_S^1 through L_S^n , n bypass switches M_{BP}^1 through M_{BP}^n , n bypass capacitors C_{BP}^1 through C_{BP}^n , n laser diodes D_L^1 through D_L^n , and a laser diode switch M_{DL} , coupled as shown. Also shown is the controller **120** discussed above, respective parasitic inductances L_{DL}^1 through L_{DL}^n of the laser diodes D_L^1 through D_L^n , respective currents $i_{L_S}^1$ through $i_{L_S}^n$ of the inductors L_S^1 through L_S^n , respective currents i_{DL}^1 through i_{DL}^n of the laser diodes D_L^1 through D_L^n , and the DC input voltage V_{in} . The damping resistor R_{Damp} is used in some embodiments for current measurement purposes and can be omitted by connecting each of the source capacitors C_S^1 through C_S^n to ground. In some embodiments, the bypass switches M_{BP}^1 through M_{BP}^n and the laser diode switch M_{DL} are each N-type FET switches and advantageously do not require bootstrap circuitry to drive the respective gates of those switches because of their respective low-side configurations.

The source resistor R_S^1 , the source capacitor C_S^1 , the inductor L_S^1 , the bypass switch M_{BP}^1 , the bypass capacitor C_{BP}^1 , and the laser diode D_L^1 are associated with a first channel of the multi-channel pulsed laser diode driver **1002**. Similarly, the source resistor R_S^n , the source capacitor C_S^n , the inductor L_S^n , the bypass switch M_{BP}^n , the bypass capacitor C_{BP}^n , and the laser diode D_L^n are associated with an n^{th} channel of the multi-channel pulsed laser diode driver **1002**, where n is a number greater than one (e.g., two, three, four, eight, 16, 32, 64, 128, etc.). By controlling (e.g., by the controller **120**) respective switch timings (i.e., an on/off

duration) of the bypass switches M_{BP}^1 through M_{BP}^n in conjunction with controlling a switch timing of the laser diode switch M_{DL} each of the laser diodes D_L^1 through D_L^n are advantageously independently controlled. Operation of each channel of the multi-channel pulsed laser diode driver **1002** is similar to, or the same as, operation of the pulsed laser diode driver **101** described with reference to FIG. 1A and the switching sequence **300** shown in FIG. 3. Because each of the bypass switches M_{BP}^1 through M_{BP}^n and the laser diode switch M_{DL} are configured as low-side switches (i.e., a source node of each aforementioned switch is directly electrically connected to ground), a gate control signal of those switches does not need to be level-shifted by bootstrap circuitry, thereby advantageously simplifying the design and reducing the cost of the multi-channel pulsed laser diode driver **1002** as compared to a laser diode driver circuit that requires bootstrap circuitry.

An example embodiment of a four-channel (i.e., $n=4$) multi-channel pulsed laser diode driver **1004** is shown in FIG. 10B. The multi-channel pulsed laser diode driver **1004** is operable to independently drive four laser diodes. That is, the multi-channel pulsed laser diode driver **1004** is operable to cause a pulse to be emitted from any individual laser diode of the multi-channel pulsed laser diode driver **1004** in isolation, or combined with one or more other pulses emitted from other laser diodes of the multi-channel pulsed laser diode driver **1004**. The multi-channel pulsed laser diode driver **1004** generally includes four source resistors R_s^1 through R_s^4 , four source capacitors C_s^1 through C_s^4 , the optional damping resistor R_{Damp} , four inductors L_s^1 through L_s^4 , four bypass switches M_{BP}^1 through M_{BP}^4 , four bypass capacitors C_{BP}^1 through C_{BP}^4 , four laser diodes D_L^1 through D_L^4 , and the laser diode switch M_{DL} , directly electrically connected as shown. Also shown is the controller **120**, respective parasitic inductances L_{DL}^1 through L_{DL}^4 of the laser diodes D_L^1 through D_L^4 , the DC input voltage V_{in} , nodes **1011** through **1014**, and nodes **1021** through **1024**. The damping resistor R_{Damp} is used in some embodiments for current measurement purposes and can be omitted by connecting each of the source capacitors C_s^1 through C_s^4 to ground. In some embodiments, the bypass capacitors C_{BP}^1 through C_{BP}^4 are connected to the cathodes of the laser diodes D_L^1 through D_L^4 . In some embodiments, the bypass switches M_{BP}^1 through M_{BP}^4 and the laser diode switch M_{DL} are each N-type FET switches and advantageously do not require boot-strap circuitry to drive the respective gates of those switches as described above.

The source resistor R_s^1 , the source capacitor C_s^1 , the inductor L_s^1 , the bypass switch M_{BP}^1 , the bypass capacitor C_{BP}^1 , and the laser diode D_L^1 are associated with a first channel of the multi-channel pulsed laser diode driver **1004**; the source resistor R_s^2 , the source capacitor C_s^2 , the inductor L_s^2 , the bypass switch M_{BP}^2 , the bypass capacitor C_{BP}^2 , and the laser diode D_L^2 are associated with a second channel of the multi-channel pulsed laser diode driver **1004**; the source resistor R_s^3 , the source capacitor C_s^3 , the inductor L_s^3 , the bypass switch M_{BP}^3 , the bypass capacitor C_{BP}^3 , and the laser diode D_L^3 are associated with a third channel of the multi-channel pulsed laser diode driver **1004**, and the source resistor R_s^4 , the source capacitor C_s^4 , the inductor L_s^4 , the bypass switch M_{BP}^4 , the bypass capacitor C_{BP}^4 , and the laser diode D_L^4 are associated with a fourth channel of the multi-channel pulsed laser diode driver **1004**. The laser diode switch M_{DL} is associated with each of the channels of the multi-channel pulsed laser diode driver **1004**.

As described above, each channel of the multi-channel pulsed laser diode driver **1004** has an associated source

resistor, source capacitor, inductor, bypass switch, bypass capacitor, and laser diode. By controlling (e.g., by the controller **120**) respective switch timings (i.e., an on/off duration) of the bypass switches M_{BP}^1 through M_{BP}^4 in conjunction with controlling a switch timing of the laser diode switch M_{DL} , each of the laser diodes D_L^1 through D_L^4 is advantageously independently controlled.

Operation of each channel of the multi-channel pulsed laser diode driver **1004** is similar to, or the same as operation of the pulsed laser diode driver **101** described with reference to FIG. 1A and the switching sequence **300** shown in FIG. 3. A channel of the multi-channel pulsed laser diode driver **1004** is selected for output by turning that channel's bypass switch off (e.g., by the controller **120**) while the laser diode switch M_{DL} is off such that the DC input voltage V_{in} charges that channel's source capacitor to a desired voltage level to store energy in that source capacitor (e.g., step **301** of FIG. 3). After the desired voltage level is reached at the source capacitor, a selected channel's bypass switch is turned on (e.g., by the controller **120**), such that current builds in that channel's inductor between that channel's bypass switch and that channel's source capacitor (e.g., step **302** of FIG. 3). If that channel's bypass switch is thereafter turned off for a short time and the laser diode switch M_{DL} is turned on, that channel's inductor current will resonate with the anode capacitance of that channel's laser diode, thereby creating a voltage across that channel's laser diode that is higher than the DC input voltage V_{in} and the developed current will be forced to flow through that channel's laser diode (e.g., step **303** of FIG. 3) to emit a laser pulse. In some embodiments, a discharge sequence similar to step **304** of FIG. 3 is performed, whereby both that channel's bypass switch and the laser diode switch M_{DL} are turned on may then follow. By sequentially selecting each channel of the multi-channel laser diode driver **1004**, that channel's laser diode can be independently pulsed. A channel of the multi-channel pulsed laser diode driver **1004** is unselected for output by leaving that channel's bypass switch on (e.g., by the controller **120**) through each of the steps **301** through **305** shown in FIG. 3, thereby preventing the DC input voltage V_{in} from charging that channel's source capacitor.

Simplified example waveforms **1102** of signals related to the operation of the multi-channel pulsed laser diode driver **1004** are shown in FIG. 11, in accordance with some embodiments. Also shown is a legend **1101** and expanded regions of interest **1104**, **1106**, **1108**, and **1110** of the waveforms **1102**.

As indicated by the legend **1101**, the simplified waveforms **1102** of FIG. 11 include a laser diode switch gate driver signal $Gate_{DL}$, a first bypass switch gate driver signal $Gate_{BP}^1$, a second bypass switch gate driver signal $Gate_{BP}^2$, a third bypass switch gate driver signal $Gate_{BP}^3$ and a fourth bypass switch gate driver signal $Gate_{BP}^4$ over a 20 μs duration. With reference to FIG. 10B, the laser diode switch gate driver signal $Gate_{DL}$ is operable to control the laser diode switch M_{DL} , the first bypass switch gate driver signal $Gate_{BP}^1$ is operable to control the bypass switch M_{BP}^1 , the second bypass switch gate driver signal $Gate_{BP}^2$ is operable to control the bypass switch M_{BP}^2 , the third bypass switch gate driver signal $Gate_{BP}^3$ is operable to control the bypass switch M_{BP}^3 , and the fourth bypass switch gate driver signal $Gate_{BP}^4$ is operable to control the bypass switch M_{BP}^4 .

Each of the expanded regions of interest **1104**, **1106**, **1108**, and **1110** illustrate a pre-flux interval of a selected channel during which an inductor current of that channel's inductor is ramping up, a very short pulse interval during which current through that channel's inductor is directed through

that channel's laser diode, and a discharge interval in accordance with steps 301 through 305 described with reference to FIG. 3. Per the description above, the region of interest 1104 illustrates pulse generation for the first channel (i.e., laser diode D_L^1) of the multi-channel laser diode driver 1004, the region of interest 1106 illustrates pulse generation for the second channel (i.e., laser diode D_L^2) of the multi-channel laser diode driver 1004, the region of interest 1108 illustrates pulse generation for the third channel (i.e., laser diode D_L^3) of the multi-channel laser diode driver 1004, and the region of interest 1110 illustrates pulse generation for the fourth channel (i.e., laser diode D_L^4) of the multi-channel laser diode driver 1004.

Additional simplified example waveforms 1202 of signals related to the operation of the multi-channel pulsed laser diode driver 1004 of FIG. 10B are shown in FIG. 12. The simplified example waveforms include waveforms 1211 through 1214 illustrating respective anode voltages of the laser diodes D_L^1 through D_L^4 at the nodes 1011 through 1014, and waveforms 1221 through 1224 illustrating respective voltages of the source capacitor C_S^1 through C_S^4 at the nodes 1021 through 1024. Also shown are waveforms 1231 through 1234 which illustrate when a respective channel of the multi-channel pulsed laser diode driver 1004 is enabled.

As shown, when a first channel of the multi-channel pulsed laser diode driver 1004 is enabled (illustrated by waveform 1231), an anode voltage 1211 at node 1011 of the laser diode D_L^1 rises in conjunction with a rising voltage at node 1021 of the source capacitor C_S^1 . Upon enabling the laser diode switch M_{DL} and momentarily disabling the bypass switch M_{BP}^1 , current flows through the laser diode D_L^1 , thereby emitting a laser pulse as described above. Similarly, when a second channel of the multi-channel pulsed laser diode driver 1004 is enabled (illustrated by waveform 1232), an anode voltage 1212 at node 1012 of the laser diode D_L^2 rises in conjunction with a rising voltage at node 1022 of the source capacitor C_S^2 . Upon enabling the laser diode switch M_{DL} and momentarily disabling the bypass switch M_{BP}^2 , current flows through the laser diode D_L^2 , thereby emitting a laser pulse as described above. Operation of the third and fourth channels of the multi-channel laser diode driver 1004 are similar.

A repetition rate of the multi-channel pulsed laser diode driver 1004, as well as each of the pulsed laser diode drivers described above, is limited by a charging time of each channel's source capacitor. The pulsed laser diode drivers described above create narrow (e.g., 1-5 nsec) high-current pulses (e.g., 40 amp) through a driven laser diode. The instantaneous power in the driven laser diode is therefore high (e.g., in the order of hundreds of watts). However, for many applications (e.g., Lidar), the duty cycle of the pulse is generally 0.01% or less to limit the total power dissipated in the laser diode which results in an upper limit to a repetition rate. In conventional laser diode driver applications, a resistor is used to charge storage (i.e., source) capacitors during each cycle. In such conventional solutions, an RC time constant of such charging circuits is typically not an issue because the duty cycle is so low. However, for applications that require a high repetition rate for laser pulses, the RC time constant of conventional charging circuits creates an undesirable limitation. In any of the embodiments disclosed herein, each source resistor of a given pulsed laser diode driver may be advantageously replaced by an actively controlled source switch that quickly charges an associated source capacitor. Activation of the source switch is synchronized with switching the one or more bypass switches and one or more laser diode switches

of a given pulsed laser diode driver such that the source switch is enabled prior to a laser diode pulse generation interval. FIG. 13A through FIG. 13I provide examples of previously described laser diode drivers in which the respective source resistor R_S has been replaced by an actively controlled source switch M_S to rapidly charge the respective source capacitor C_S . In some embodiments, the actively controlled source switch is implemented as a P-type switch which advantageously does not require bootstrap circuitry. Respective actively controlled source switches M_S shown in FIG. 13A through FIG. 13I are activated only during a pre-charge step (i.e., during step 301 as described with reference to FIG. 3), and thus prior to a pre-flux step (i.e., prior to step 302 as described with reference to FIG. 3).

FIG. 13A shows a first example embodiment of a pulsed laser diode driver 1301 having all of the components, signals, and nodes described above with reference to the pulsed laser diode driver 101 of FIG. 1A, with the exception of the source resistor R_S of FIG. 1A which has advantageously been replaced in FIG. 13A by an actively controlled (e.g., by the controller 120 using gate control signal $GATE_S$) source switch M_S to rapidly charge the source capacitor C_S . In other example embodiments (not shown), the respective source resistors R_S of the pulsed laser diode driver 102 of FIG. 1B and the pulsed laser diode driver 103 of FIG. 1C are similarly replaced by a respective actively controlled source switch to rapidly charge the respective source capacitors C_S of the laser drivers 102/103.

FIG. 13B shows a second example embodiment of a pulsed laser diode driver 1302 having all of the components, signals, and nodes described above with reference to the pulsed laser diode driver 401 of FIG. 4A, with the exception of the source resistor R_S of FIG. 4A which has advantageously been replaced in FIG. 13B by an actively controlled (e.g., by the controller 120 using gate control signal $GATE_S$) source switch M_S to rapidly charge the source capacitor C_S . In other example embodiments (not shown), the respective source resistors R_S of the pulsed laser diode driver 402 of FIG. 4B, the pulsed laser diode driver 403 of FIG. 4C, and the pulsed laser diode driver 404 of FIG. 4D are similarly replaced by a respective actively controlled source switch to rapidly charge the respective source capacitors C_S of the laser diode drivers 402/403/404.

FIG. 13C shows a third example embodiment of a pulsed laser diode driver 1303 having all of the components, signals, and nodes described above with reference to the pulsed laser diode driver 501 of FIG. 5A, with the exception of the source resistor R_S of FIG. 5A which has advantageously been replaced in FIG. 13C by an actively controlled (e.g., by the controller 120 using gate control signal $GATE_S$) source switch M_S to rapidly charge the source capacitor C_S . In other example embodiments (not shown), the respective source resistors R_S of the pulsed laser diode driver 502 of FIG. 5B, the pulsed laser diode driver 503 of FIG. 5C, and the pulsed laser diode driver 504 of FIG. 5D are similarly replaced by a respective actively controlled source switch to rapidly charge the respective source capacitors C_S of the laser diode drivers 502/503/504.

FIG. 13D shows a fourth example embodiment of a pulsed laser diode driver 1304 having all of the components, signals, and nodes described above with reference to the pulsed laser diode driver 601 of FIG. 6A, with the exception of the source resistor R_S of FIG. 6A which has advantageously been replaced in FIG. 13D by an actively controlled (e.g., by the controller 120 using gate control signal $GATE_S$) source switch M_S to rapidly charge the source capacitor C_S . In other example embodiments (not shown), the respective

source resistors R_s of the pulsed laser diode driver **602** of FIG. 6B, the pulsed laser diode driver **603** of FIG. 6C, and the pulsed laser diode driver **604** of FIG. 6D are similarly replaced by a respective actively controlled source switch to rapidly charge the respective source capacitors C_s of the laser diode drivers **602/603/604**.

FIG. 13E shows a fifth example embodiment of a pulsed laser diode driver **1305** having all of the components, signals, and nodes described above with reference to the pulsed laser diode driver **701** of FIG. 7A, with the exception of the source resistor R_s of FIG. 7A which has advantageously been replaced in FIG. 13E by an actively controlled (e.g., by the controller **120** using gate control signal $GATE_S$) source switch M_S to rapidly charge the source capacitor C_S . In other example embodiments (not shown), the respective source resistors R_s of the pulsed laser diode driver **702** of FIG. 7B, the pulsed laser diode driver **703** of FIG. 7C, the pulsed laser diode driver **704** of FIG. 7D, and the pulsed laser diode driver **705** of FIG. 7E are similarly replaced by a respective actively controlled source switch to rapidly charge the respective source capacitors C_S of the laser diode drivers **702/703/704/705**.

FIG. 13F shows a sixth example embodiment of a pulsed laser diode driver **1306** having all of the components, signals, and nodes described above with reference to the pulsed laser diode driver **801** of FIG. 8A, with the exception of the source resistor R_s of FIG. 8A which has advantageously been replaced in FIG. 13F by an actively controlled (e.g., by the controller **120** using gate control signal $GATE_S$) source switch M_S to rapidly charge the source capacitor C_S . In other example embodiments (not shown), the source resistor R_s of the pulsed laser diode driver **802** of FIG. 8B is similarly replaced by an actively controlled source switch to rapidly charge the source capacitor C_S of the pulsed laser diode driver **802**.

FIG. 13G shows a seventh example embodiment of a pulsed laser diode driver **1307** having all of the components, signals, and nodes described above with reference to the pulsed laser diode driver **901** of FIG. 9A, with the exception of the source resistor R_s of FIG. 9A which has advantageously been replaced in FIG. 13G by an actively controlled (e.g., by the controller **120** using gate control signal $GATE_S$) source switch M_S to rapidly charge the source capacitor C_S . In other example embodiments (not shown), the source resistor R_s of the laser diode driver **902** of FIG. 9B is similarly replaced by an actively controlled source switch to rapidly charge the source capacitor C_S of the laser diode driver **902**.

FIG. 13H shows an eighth example embodiment of a pulsed laser diode driver **1308** having all of the components, signals, and nodes described above with reference to the multi-channel pulsed laser diode driver **1002** of FIG. 10A, with the exception of the source resistors R_S^1 through R_S^n of FIG. 10A which have advantageously been replaced in FIG. 13H by respective actively controlled (e.g., by the controller **120** using gate control signals $GATE_S^1$ through $GATE_S^n$) source switches M_S^1 through M_S^n to rapidly charge the source capacitors C_S^1 through C_S^n .

FIG. 13I shows a ninth example embodiment of a pulsed laser diode driver **1309** having all of the components, signals, and nodes described above with reference to the multi-channel pulsed laser diode driver **1004** of FIG. 10B, with the exception of the source resistors R_S^1 through R_S^4 of FIG. 10B which have advantageously been replaced in FIG. 13I by respective actively controlled (e.g., by the controller **120** using gate control signals $GATE_S^1$ through $GATE_S^4$)

source switches M_S^1 through M_S^4 to rapidly charge the source capacitors C_S^1 through C_S^4 .

Simplified example waveforms **1402** of signals related to the operation of the multi-channel pulsed laser diode driver **1309** of FIG. 13I are shown in FIG. 14, in accordance with some embodiments. The simplified example waveforms **1402** include waveforms **1421** through **1424** illustrating respective voltages across the source capacitor C_S^1 through C_S^4 at nodes **1021** through **1024** of FIG. 13I, respectively. Also shown are waveforms **1431** through **1434** which illustrate when a respective channel of the multi-channel pulsed laser diode driver **1309** is enabled, a clock signal **1441**, and high-current pulses **1451** through **1455**. As shown, the multi-channel pulsed laser diode driver **1309** is operable to emit a high-current pulse **1451** through **1455** to drive a respective laser diode D_L^1 through D_L^4 , a pulse being emitted every 10 μs . The examples shown in FIGS. 13A-13I are merely select examples of pulsed laser diode driver circuits configured to advantageously use a source switch (i.e., M_S) for rapid charging of a source capacitor (i.e., C_S). In some embodiments, any of the pulsed laser diode drivers **101-103**, **401-404**, **501-504**, **601-604**, **701-705**, **801-802**, **901-902**, **1002-1004** are configured to use a source switch (i.e., M_S) instead of a source resistor (i.e., R_S) to rapidly charge a source capacitor (i.e., C_S).

FIG. 15 shows a simplified circuit schematic of a pulsed laser diode driver **1501** of a ninth general topology, in accordance with some embodiments. The pulsed laser diode driver **1501** generally includes a source switch M_S , a source capacitor C_S , a damping resistor R_{Damp} , an inductor L_S , a bypass capacitor C_{BP} , a laser diode D_L , a bypass switch M_{BP} , and a flux switch M_{FLUX} . The flux switch M_{FLUX} is configured as a low-side switch. Also shown is the controller **120**, node **110**, a parasitic inductance L_{DL} of the laser diode D_L , a DC input voltage V_{in} , a source voltage V_S at the source capacitor C_S , a current i_{L_S} through the inductor L_S , a current i_{D_L} through the laser diode D_L , a bypass switch gate driver signal $GATE_{BP}$, and a flux switch gate driver signal $GATE_{FLUX}$.

As shown in FIG. 15, a first terminal of the source switch M_S is directly electrically connected to the DC input voltage V_{in} . In other embodiments (not shown), the source switch M_S may be replaced with a source resistor R_S . A second terminal of the source switch M_S is directly electrically connected to a first terminal of the source capacitor C_S . A second terminal of the source capacitor C_S is directly electrically connected to a bias voltage node such as ground. The second terminal of the source switch M_S is directly electrically connected to an anode of the laser diode D_L , a first terminal of the damping resistor R_{Damp} , a first terminal of the bypass capacitor C_{BP} , and a first terminal of the inductor L_S . A second terminal of the damping resistor R_{Damp} is directly electrically connected to a first terminal of the flux switch M_{FLUX} , and a second terminal of the flux switch M_{FLUX} is directly electrically connected to a bias voltage node such as ground. A cathode of the laser diode D_L is directly electrically connected to a second terminal of the bypass capacitor C_{BP} , a second terminal of the inductor L_S , and to a first terminal of the bypass switch M_{BP} . A second terminal of the bypass switch M_{BP} is directly electrically connected to a bias voltage node such as ground.

The bypass switch M_{BP} is configured to receive the bypass switch gate driver signal $GATE_{BP}$ at a gate node (e.g., from the controller **120**), the bypass switch gate driver signal $GATE_{BP}$ being operable to turn the bypass switch M_{BP} on or off based on a voltage level of the bypass switch gate driver signal $GATE_{BP}$. The source switch M_S is con-

figured to receive the source switch gate driver signal $GATE_S$ at a gate node (e.g., from the controller **120**), the source switch gate driver signal $GATE_S$ being operable to turn the source switch M_S on or off based on a voltage level of the source switch gate driver signal $GATE_S$. Similarly, the flux switch M_{FLUX} is configured to receive the flux switch gate driver signal $GATE_{FLUX}$ at a gate node (e.g., from the controller **120**), the flux switch gate driver signal $GATE_{FLUX}$ being operable to turn the flux switch M_{FLUX} on or off based on a voltage level of the flux switch gate driver signal $GATE_{FLUX}$. Any or all of the bypass switch M_{BP} , the source switch M_S , and/or the flux switch M_{FLUX} can be implemented as N-type switches or P-type switches. In some embodiments, the bypass switch M_{BP} , the source switch M_S , and/or the flux switch M_{FLUX} are implemented as Silicon-based or Silicon-Carbide-based field-effect transistors (FETs).

In some embodiments, the pulsed laser diode driver **1501** is configured to receive the DC input voltage V_{in} having a voltage range from about 10V to 20V, which is advantageously lower than an input voltage used by many conventional pulsed laser diode drivers. The inductor L_S is a physical component added to the pulsed laser diode driver **1501** (i.e., as opposed to a representation of a parasitic inductance caused by components or interconnections such as bond wires). Similarly, the bypass capacitor C_{BP} is a physical component added to the pulsed laser diode driver **1501** (i.e., as opposed to a representation of a parasitic capacitance). One advantage of using physical inductor and capacitor components rather than using parasitic inductances and capacitances is that values of the inductor L_S and the bypass capacitor C_{BP} can be easily modified by a designer or even an end-user. By comparison, conventional designs that rely on parasitic reactances may require re-design and/or re-layout to change an operating parameter.

As disclosed herein, values of the DC input voltage V_{in} , the inductance of the inductor L_S , the capacitance of the source capacitor C_S , the resistance of the damping resistor R_{Damp} , and the capacitance of the bypass capacitor C_{BP} can advantageously be selected ("tuned") to achieve a desired operation of the pulsed laser diode driver **1501** (e.g., a charge time, a pulse width, a pulse voltage, a pulse current). For example, a pulse width of the current i_{DL} flowing through the laser diode D_L can be tuned by adjusting the capacitance value of the bypass capacitor C_{BP} . A peak current level of the pulse of current i_{DL} flowing through the laser diode D_L can be tuned by adjusting the source voltage V_S on the supply capacitor C_S . A capacitance value of the source capacitor C_S can be tuned to adjust a timing delay of the high-current pulse and an upper range of the current i_{DL} through the laser diode D_L . Resistance values of the damping resistor R_{Damp} are dependent on the capacitance value of the supply capacitor C_S and can be tuned within a range of values such that at a lower resistance, a lower frequency resonance of the pulsed laser diode drivers disclosed herein is underdamped (e.g., at about $R_{Damp}=0.1$ Ohm), or is critically damped (e.g., at about $R_{Damp}=0.4$ Ohm). The damping resistor R_{Damp} is operable to prevent current of the generated resonant waveform from becoming negative which could thereby enable a body diode of the bypass switch M_{BP} or the flux switch M_{FLUX} . Although a resulting maximum current level of the current i_{DL} through the laser diode D_L is lower for the critically damped case, the current level can be easily adjusted by raising the voltage level of the DC input voltage V_{in} .

In some embodiments, the DC input voltage V_{in} is about 15V, the inductance of the inductor L_S is about 6 nH, the

capacitance of the source capacitor C_S is about 100 nF, the resistance of the damping resistor R_{Damp} is about 0.1 Ohm, and the capacitance of the bypass capacitor C_{BP} is about 1 nF. In some embodiments, a voltage at the first terminal of the damping resistor R_{Damp} is received by the controller **120** to provide an indication of a current flow through the damping resistor R_{Damp} .

Typical resonant driver designs often require a damping resistor to minimize ringing duration. However, the added damping resistor R_{Damp} dissipates power which may lower the overall power efficiency of the design as compared to a resonant driver that does not have a damping resistor. Thus, in some embodiments, the pulsed laser diode driver **1501** advantageously allows current to flow through the damping resistor R_{Damp} during portions of a switching sequence (e.g., the switching sequence **300**) in which the damping resistor R_{Damp} critically damps ringing, and prevents current from flowing through the damping resistor R_{Damp} during portions of the switching sequence when the damping resistor R_{Damp} is not needed to damp ringing. The pulsed laser diode driver **1501** allows current to flow through the damping resistor R_{Damp} by enabling the flux switch M_{FLUX} and prevents current from flowing through the damping resistor R_{Damp} by disabling the flux switch M_{FLUX} . Such dynamic control of current flow through the damping resistor R_{Damp} advantageously increases an overall power efficiency of the pulsed laser diode driver **1501** as compared to a pulsed laser diode driver circuit that allows current to flow through a damping resistor for the entirety of a switching sequence.

During operation, the source capacitor C_S is discharged through the inductor L_S by the bypass switch M_{BP} . This configuration provides a maximum peak current through the laser diode D_L but requires the series damping resistor R_{Damp} to prevent the waveform from ringing for a long duration. Until the ringing stops and the voltage and current are zero, the bypass switch M_{BP} cannot be turned off. Unfortunately, the damping resistor R_{Damp} dissipates power as long as current flows through the damping resistor R_{Damp} . Thus, the pulsed laser diode driver **1501** advantageously provides an optimal power efficiency by preventing current from flowing through the damping resistor R_{Damp} during an initial precharge step (e.g., step **301** of FIG. **3**), a preflux step (e.g., step **302** of FIG. **3**), and a pulse generation step (e.g., step **303** of FIG. **3**) of a switching sequence (e.g., the switching sequence **300** of FIG. **3**). However, current is allowed, by the flux switch M_{FLUX} , to flow through the damping resistor R_{Damp} after the high-current pulse has been generated (e.g., at step **303** of FIG. **3**) to remove remaining ringing by critically damping the RLC network of the pulsed laser diode driver **1501**.

During the precharge step (e.g., step **301** of FIG. **3**), the preflux step (e.g., step **302** of FIG. **3**), and the pulse generation step (e.g., step **303** of FIG. **3**) of the switching sequence (e.g., the switching sequence **300** of FIG. **3**), the flux switch M_{FLUX} is disabled, thereby creating an undamped LC network. However, after pulse generation, the flux switch M_{FLUX} is enabled and the damping resistor R_{Damp} creates a parallel RLC network to critically damp ringing and thereby provide a maximum power efficiency and fast recovery of the pulsed laser diode driver **1501** to start a next switching sequence.

For example, FIGS. **16A-16B** show simplified plots, **1620a-b**, **1621a-b**, **1622a-b**, **1623a-b**, **1624a-b**, and **1625a-b**, of signals related to operation of the pulsed laser diode driver **1501** shown in FIG. **15**, in accordance with some embodiments. In particular, FIG. **16A** illustrates operation of the pulsed laser diode driver **1501** when a damping

resistor (i.e., the damping resistor R_{Damp}) underdamps ringing of the pulsed laser diode driver **1501**. In comparison, FIG. **16B** illustrates operation of the pulsed laser diode driver **1501** when a damping resistor (i.e., the damping resistor R_{Damp}) is used to critically damp ringing of the pulsed laser diode driver **1501**.

With reference to FIGS. **16A-16B**, the simplified plots illustrate voltage plots of the bypass switch gate driver signal $GATE_{BP}$ **1620a-b**, voltage plots of the flux switch gate driver signal $GATE_{FLUX}$ **1621a-b**, current plots of the current i_{L_S} through the inductor L_S **1622a-b**, current plots of the current i_{DL} through the laser diode D_L **1623a-b**, voltage plots of the source voltage V_S **1624a-b** at the source capacitor C_S , and voltage and current plots **1625a-b** of a voltage and current source used to establish a plot scale, all over the same duration of time. Details of these signals are described below. The voltage plots of the bypass switch gate driver signal $GATE_{BP}$ **1620a-b** and the flux switch gate driver signal $GATE_{FLUX}$ **1621a-b** have been level-shifted for readability, but are, in actuality, low voltage inputs. Additionally, the voltage plots of the bypass switch gate driver signal $GATE_{BP}$ **1620a-b** and the flux switch gate driver signal $GATE_{FLUX}$ **1621a-b** assume that the flux switch M_{FLUX} and the bypass switch M_{BP} are NFET devices. However, if PFET devices are used instead, the polarity of the bypass switch gate driver signal $GATE_{BP}$ **1620a-b** and the flux switch gate driver signal $GATE_{FLUX}$ **1621a-b** are inverted.

In the example shown in FIG. **16A**, with reference to FIG. **15**, a resistance value of 10 Ohms is used for the damping resistor R_{Damp} of the pulsed laser diode driver **1501** in which $L_S=6$ nH, and $C_{BP}=1$ nF, and L_{DL} is about 1 nH. As expected, the waveforms **1622a** and **1624a** are very underdamped as shown by prolonged oscillations (i.e., “ringing”). As is known in the art, for a parallel RLC circuit, the damping coefficient d is expressed as:

$$d = \frac{1}{2R} \times \sqrt{\frac{L}{C}} \quad (\text{Equation 1})$$

Thus, if a critically damped waveform is desired, an optimal resistance R value of the damping resistor R_{Damp} can be determined by setting the damping coefficient d in Equation 1 to a value of $d=1$ and solving Equation 1 for R using the values mentioned above. In the example shown in FIG. **16B**, a resistance value of 0.175 Ohms is used for the damping resistor R_{Damp} of the pulsed laser diode driver **1501**. As expected, the waveforms **1622b** and **1624b** are thereby critically damped as shown by the absence of prolonged oscillations (i.e., “ringing”).

In some embodiments, the damping resistor R_{Damp} can be eliminated by using a weak switch having an on-resistance R_{dson} that is about the desired resistance value determined using Equation 1. In such embodiments, if adjustment of the resistance value is desired, a segmented FET can be used to thereby allow the on-resistance R_{dson} to be modified to match the damping resistance required.

Additionally, although it would initially appear that placing the source capacitor C_S in series with the laser diode D_L would raise the required anode voltage to pulse the laser diode D_L , the voltage and current of the source capacitor C_S are 90-degrees out of phase with one another. As shown by waveforms **1624a-b**, because the current pulse (i.e., **1623a-b**) through the laser diode D_L is advantageously aligned with a peak current amplitude, voltage at the source capacitor C_S at that time is zero due to the 90-degree phase

shift. In some embodiments, a beginning of the high-current pulse could be determined by sensing when the source voltage V_S at the source capacitor C_S is at zero, at which point the high-current pulse through the laser diode D_L should begin.

For some applications, the amplitude of a high-current pulse delivered by a resonant circuit such as any of those disclosed herein may need to be adjusted in amplitude from pulse-to-pulse. Thus, in some embodiments, any of the pulsed laser drivers disclosed herein are advantageously operable to configure an amplitude of the high-current pulse delivered to one or more laser diodes on a pulse-to-pulse basis.

As shown in FIG. **17**, FIG. **18**, FIG. **19**, and FIG. **20**, the DC input voltage V_{in} is advantageously provided by an adjustable voltage supply (i.e., a digital-to-analog converter (DAC)). In some embodiments, an output voltage level of the adjustable voltage supply is set using the controller **120**. For example, FIG. **17** illustrates a pulsed laser diode driver circuit **1701** that is the same as the pulsed laser diode driver **101** shown in FIG. **1A** with the exception that the DC input voltage V_{in} is generated by a DAC **1730**. FIG. **18** illustrates a pulsed laser diode driver circuit **1801** that is the same as the pulsed laser diode driver **1301** shown in FIG. **13A** with the exception that the DC input voltage V_{in} is generated by a DAC **1830**. FIG. **19** illustrates a pulsed laser diode driver circuit **1901** that is the same as the pulsed laser diode driver **1308** shown in FIG. **13H** with the exception that the DC input voltage V_{in} is generated by a DAC **1930**. FIG. **20** illustrates a pulsed laser diode driver circuit **2001** that is the same as the pulsed laser diode driver **1501** shown in FIG. **15** with the exception that the DC input voltage V_{in} is generated by a DAC **2030**. The examples shown in FIG. **17**, FIG. **18**, FIG. **19**, and FIG. **20** are merely select examples of pulsed laser diode driver circuits configured to receive a DC input voltage from an adjustable voltage source (e.g., a DAC or a different adjustable voltage source as is known in the art). In some embodiments, any of the pulsed laser diode drivers **101-103**, **401-404**, **501-504**, **601-604**, **701-705**, **801-802**, **901-902**, **1002-1004**, **1301-1309**, and/or **1501** are configured to receive the DC input voltage V_{in} from an adjustable voltage source such as a DAC.

Use of an adjustable voltage supply, such as a DAC, to provide the DC input voltage V_{in} to the pulsed laser diode driver circuits disclosed herein is possible because of the advantageously low input voltage requirements for such embodiments. In some embodiments, the adjustable voltage supply is clocked such that the adjustable voltage supply charges the source capacitor C_S described herein only during a first portion of a clock period (e.g., a positive portion). As such, the value of the DC input voltage V_{in} and a current amplitude of the high-current pulse delivered to the laser diode(s) disclosed herein may be advantageously varied between consecutive high-current pulses through the laser diode(s).

FIGS. **21A-21B** show simplified plots, **2102a-b**, **2104a-b**, **2106a-b**, of signals related to operation of the pulsed laser diode drivers shown in FIGS. **17**, **18**, **19**, and **20**, in accordance with some embodiments.

FIG. **21A** includes examples of high-current pulses **2102a** (i.e., through the laser diode(s) D_L), a source voltage V_S at the source capacitor C_S **2106a**, and a linearly varying supply voltage **2106a** of a variable input voltage supply (e.g., a DAC) that provides the DC input voltage V_{in} . As shown, a current amplitude of the high-current pulses **2102a** is advantageously varied from pulse to pulse.

FIG. **21B** includes examples of high-current pulses **2102b** (i.e., through the laser diode(s) D_L), a source voltage V_S at

the source capacitor C_S **2106b**, and a stepped supply voltage of a variable input voltage supply (e.g., a DAC) that provides the DC input voltage V_{in} . As shown, a current amplitude of the high-current pulses **2102b** is advantageously varied from pulse to pulse. Although an output voltage transition of the variable input voltage supply is fast, change in the source voltage level V_S at the source capacitor C_S **2106b** is limited by the time constant of the source capacitor C_S and an on-resistance of an input switch (e.g., the source switch M_S described above) or an input resistor (e.g., the source resistor R_S described above).

Reference has been made in detail to embodiments of the disclosed invention, one or more examples of which have been illustrated in the accompanying figures. Each example has been provided by way of explanation of the present technology, not as a limitation of the present technology. In fact, while the specification has been described in detail with respect to specific embodiments of the invention, it will be appreciated that those skilled in the art, upon attaining an understanding of the foregoing, may readily conceive of alterations to, variations of, and equivalents to these embodiments. For instance, features illustrated or described as part of one embodiment may be used with another embodiment to yield a still further embodiment. Thus, it is intended that the present subject matter covers all such modifications and variations within the scope of the appended claims and their equivalents. These and other modifications and variations to the present invention may be practiced by those of ordinary skill in the art, without departing from the scope of the present invention, which is more particularly set forth in the appended claims. Furthermore, those of ordinary skill in the art will appreciate that the foregoing description is by way of example only, and is not intended to limit the invention.

What is claimed is:

1. A pulsed laser diode driver comprising:

- a first inductor having a first terminal and a second terminal, the first terminal of the first inductor being configured to receive a first source voltage, the first source voltage being based on a DC input voltage;
- a first source capacitor having a first terminal directly electrically connected to the first terminal of the first inductor to provide the first source voltage and a second terminal electrically coupled to ground;
- a first bypass switch having a drain node that is directly electrically connected to the second terminal of the first inductor and a source node that is directly electrically connected to ground;
- a first bypass capacitor having a first terminal directly electrically connected to the drain node of the first bypass switch;
- a first laser diode having an anode and a cathode, the anode of the first laser diode being directly electrically connected to the second terminal of the first inductor and to the drain node of the first bypass switch; and
- a first laser diode switch having a drain node that is directly electrically connected to the cathode of the first laser diode and a source node that is directly electrically connected to ground;

wherein:

the first laser diode switch and the first bypass switch are configured to control a current flow through the first inductor to produce a high-current pulse through the first laser diode, the high-current pulse corresponding to a peak current of a resonant waveform developed at the anode of the first laser diode.

2. The pulsed laser diode driver of claim 1, wherein: a second terminal of the first bypass capacitor is directly electrically connected to ground.

3. The pulsed laser diode driver of claim 1, wherein: a second terminal of the first bypass capacitor is directly electrically connected to the second terminal of the first source capacitor.

4. The pulsed laser diode driver of claim 1, wherein: a second terminal of the first bypass capacitor is directly electrically connected to the cathode of the first laser diode.

5. The pulsed laser diode driver of claim 1, further comprising: a resistor configured to receive the DC input voltage, the first source voltage being received at the first terminal of the first source capacitor via the resistor.

6. The pulsed laser diode driver of claim 1, further comprising: a source switch configured to receive the DC input voltage, the first source voltage being received at the first terminal of the first source capacitor via the source switch.

7. The pulsed laser diode driver of claim 1, further comprising: an adjustable voltage supply configured to generate the DC input voltage.

8. The pulsed laser diode driver of claim 7, wherein: the adjustable voltage supply comprises a Digital-to-Analog Converter (DAC).

9. The pulsed laser diode driver of claim 7, wherein: the adjustable voltage supply is configured to adjust the DC input voltage between consecutive high-current pulses through the first laser diode.

10. The pulsed laser diode driver of claim 1, further comprising: a second laser diode, an anode of the second laser diode being directly electrically connected to the anode of the first laser diode.

11. The pulsed laser diode driver of claim 1, further comprising:

- a second inductor having a first terminal and a second terminal, the first terminal of the second inductor being configured to receive a second source voltage, the second source voltage being based on the DC input voltage;
- a second source capacitor having a first terminal directly electrically connected to the first terminal of the second inductor to provide the second source voltage and a second terminal electrically coupled to ground;

a second bypass switch having a drain node that is directly electrically connected to the second terminal of the second inductor and a source node that is directly electrically connected to ground;

a second bypass capacitor having a first terminal directly electrically connected to the drain node of the second bypass switch; and

a second laser diode having an anode and a cathode, the anode of the second laser diode being directly electrically connected to the second terminal of the second inductor and to the drain node of the second bypass switch, the cathode of the second laser diode being directly electrically connected to the drain node of the first laser diode switch;

wherein:

the first laser diode switch and the second bypass switch are configured to control a current flow through the second inductor to produce a high-current pulse

31

through the second laser diode, the high-current pulse corresponding to a peak current of a resonant waveform developed at the anode of the second laser diode.

12. The pulsed laser diode driver of claim 1, wherein: the second terminal of the first source capacitor is electrically coupled to ground via a damping resistor.

13. The pulsed laser diode driver of claim 1, wherein: the second terminal of the first source capacitor is electrically coupled to ground via a direct electrical connection to ground.

14. The pulsed laser diode driver of claim 1, wherein: the first laser diode switch is a Silicon-based field-effect transistor.

15. A pulsed laser diode driver comprising:

an inductor having a first terminal and a second terminal, the first terminal of the inductor being configured to receive a source voltage;

a source capacitor having a first capacitor terminal directly electrically connected to the first terminal of the inductor to provide the source voltage and a second capacitor terminal electrically coupled to a bias voltage node;

a source switch having a first terminal that is directly electrically connected to a DC input voltage terminal and a second terminal that is directly electrically connected to the first capacitor terminal, the source switch being operable to charge the source capacitor when the source switch is enabled;

a bypass switch having a drain node that is directly electrically connected to the second terminal of the inductor and a source node that is directly electrically connected to the bias voltage node;

a laser diode switch having a drain node that is directly electrically connected to the second terminal of the inductor and to the drain node of the bypass switch;

a laser diode having an anode that is directly electrically connected to a source node of the laser diode switch and a cathode that is directly electrically connected to the bias voltage node; and

a bypass capacitor having i) a first terminal directly electrically connected to the second terminal of the inductor and a second terminal directly electrically connected to the bias voltage node, ii) a first terminal directly electrically connected to the anode of the laser diode and a second terminal directly electrically connected to the bias voltage node, iii) a first terminal directly electrically connected to the second terminal of the inductor and a second terminal directly electrically connected to the second capacitor terminal of the source capacitor, or iv) a first terminal directly electrically connected to the anode of the laser diode and a second terminal directly electrically connected to the second capacitor terminal of the source capacitor;

wherein:

the laser diode switch and the bypass switch are configured to control a current flow through the inductor to produce a high-current pulse through the laser diode, the high-current pulse corresponding to a peak current of a resonant waveform developed at the anode of the laser diode.

16. The pulsed laser diode driver of claim 15, further comprising:

an adjustable voltage supply configured to provide a DC input voltage to the DC input voltage terminal.

32

17. A pulsed laser diode driver comprising:

an inductor having a first terminal and a second terminal, the first terminal being configured to receive a source voltage;

a source capacitor having a first capacitor terminal directly electrically connected to the first terminal of the inductor to provide the source voltage and a second capacitor terminal electrically coupled to a bias voltage node;

a source switch having a first terminal that is directly electrically connected to a DC input voltage terminal and a second terminal that is directly electrically connected to the first capacitor terminal, the source switch being operable to charge the source capacitor when the source switch is enabled;

a bypass switch having a drain node that is directly electrically connected to the second terminal of the inductor and a source node that is directly electrically connected to the bias voltage node;

a laser diode having an anode and a cathode, the anode being directly electrically connected to the second terminal of the inductor and to the drain node of the bypass switch;

a laser diode switch having a drain node that is directly electrically connected to the cathode of the laser diode and a source node that is directly electrically connected to the bias voltage node; and

a bypass capacitor having i) a first terminal directly electrically connected to the second terminal of the inductor and a second terminal directly electrically connected to the bias voltage node, ii) a first terminal directly electrically connected to the second terminal of the inductor and a second terminal directly electrically connected to the second capacitor terminal of the source capacitor, or iii) a first terminal directly electrically connected to the anode of the laser diode and a second terminal directly electrically connected to the cathode of the laser diode;

wherein,

the laser diode switch and the bypass switch are configured to control a current flow through the inductor to produce a high-current pulse through the laser diode, the high-current pulse corresponding to a peak current of a resonant waveform developed at the anode of the laser diode.

18. The pulsed laser diode driver of claim 17, further comprising:

an adjustable voltage supply configured to provide a DC input voltage to the DC input voltage terminal.

19. A pulsed laser diode driver comprising:

a plurality of inductors, each inductor having a first terminal and a second terminal, the first terminal of each inductor being configured to receive a respective source voltage;

a plurality of source capacitors, each source capacitor corresponding to a respective inductor and having a first capacitor terminal directly electrically connected to the first terminal of that respective inductor to provide the respective source voltage and a second capacitor terminal electrically coupled to a bias voltage node;

a plurality of bypass switches, each bypass switch corresponding to a respective inductor and having a drain node that is directly electrically connected to the second terminal of that respective inductor and a source node that is directly electrically connected to the bias voltage node;

a plurality of laser diodes, each laser diode corresponding to a respective inductor and a respective bypass switch and having an anode and a cathode, the anode being directly electrically connected to the second terminal of that respective inductor and to the drain node of that
5 respective bypass switch;

a laser diode switch having a drain node that is directly electrically connected to the cathode of each of the laser diodes and a source node that is directly electrically connected to the bias voltage node; and
10

a plurality of bypass capacitors, each bypass capacitor corresponding to a respective inductor and having a first terminal directly electrically connected to the second terminal of that respective inductor and a second terminal directly electrically connected to the bias
15 voltage node;

wherein,

the laser diode switch and the plurality of bypass switches are configured to control a respective current flow through each of the inductors to produce a respective
20 high-current pulse through each of the laser diodes, each of the high-current pulses corresponding to a peak current of a resonant waveform developed at the anode of a respective laser diode.

20. The pulsed laser diode driver of claim **19**, further
25 comprising:

a plurality of source switches configured to receive a DC input voltage and to provide the respective source voltages to the plurality of source capacitors.

* * * * *

30